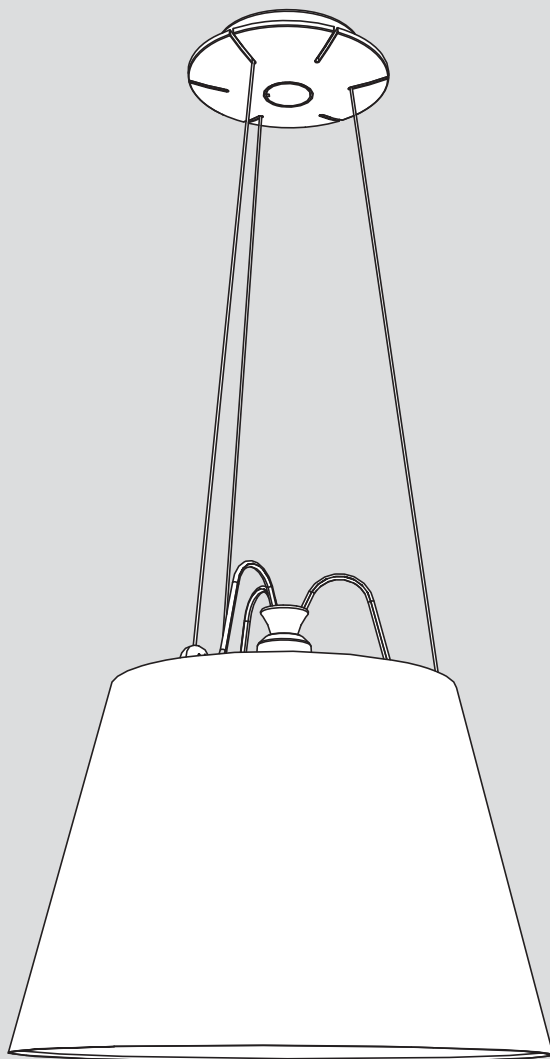


# Artemide®

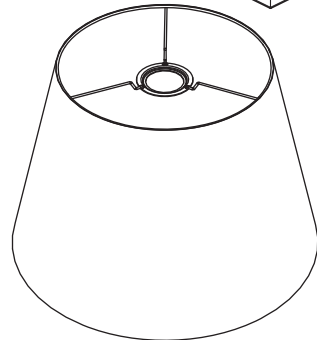
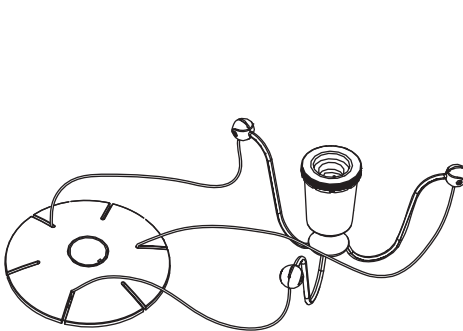
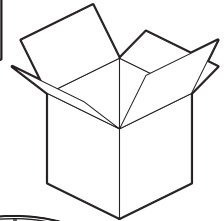
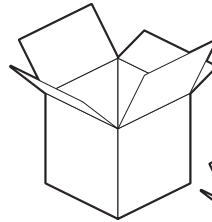
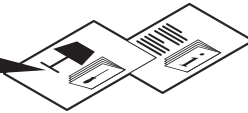
## Tolomeo Mega Sospensione

design  
M. De Lucchi  
G. Fassina

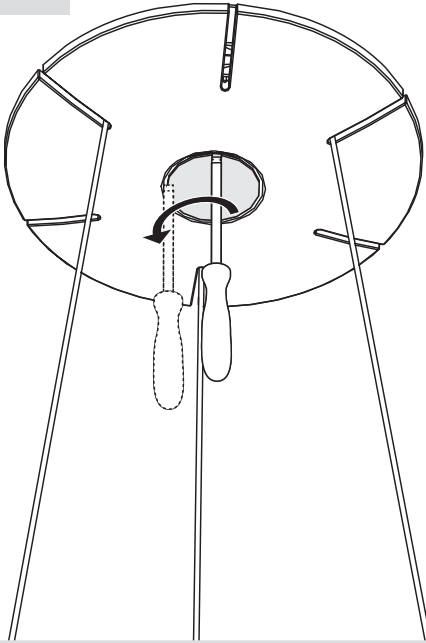




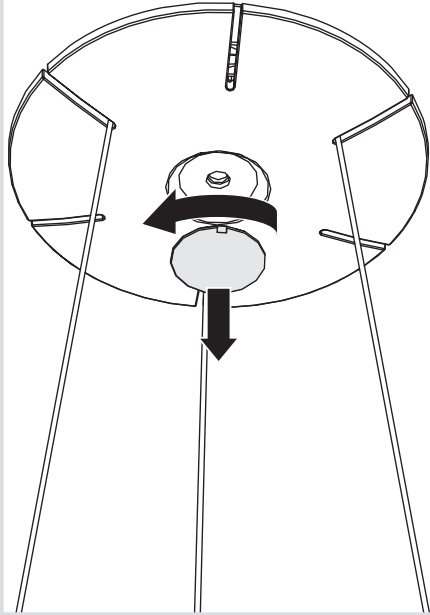
i



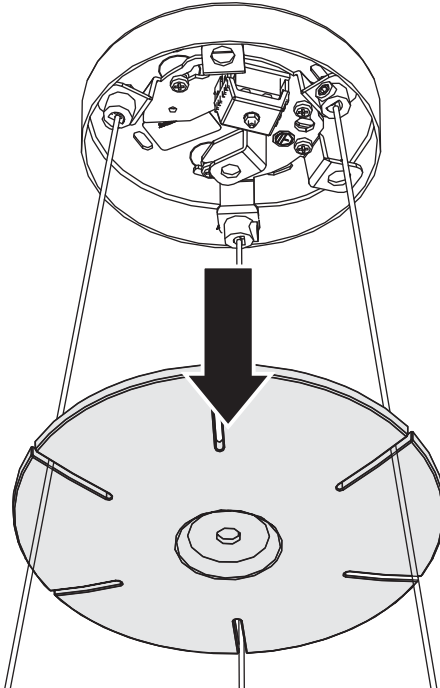
1

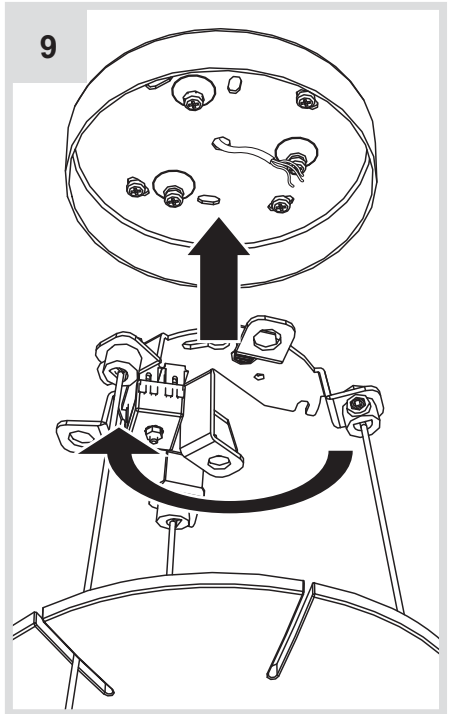
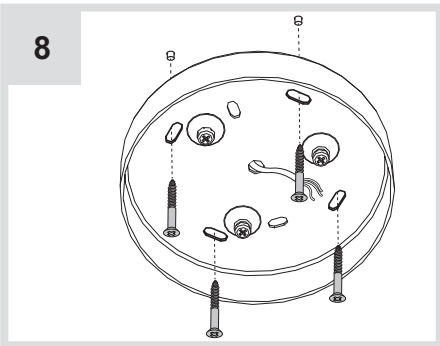
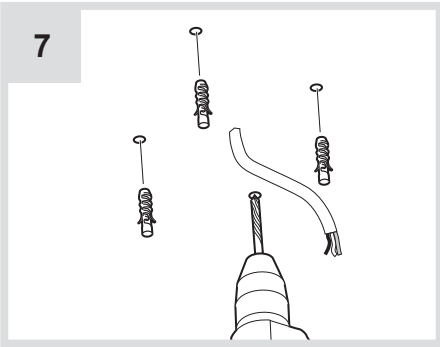
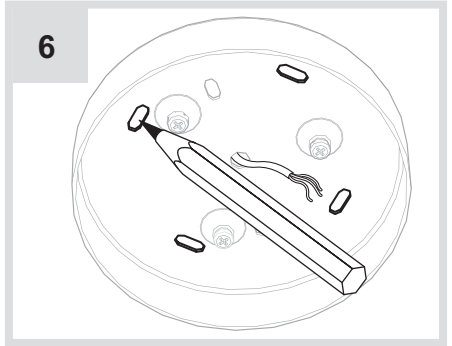
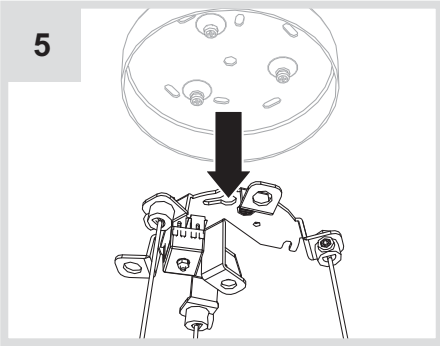
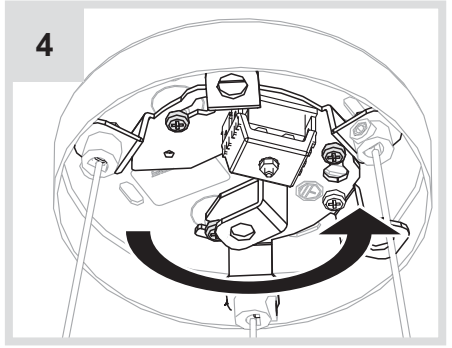
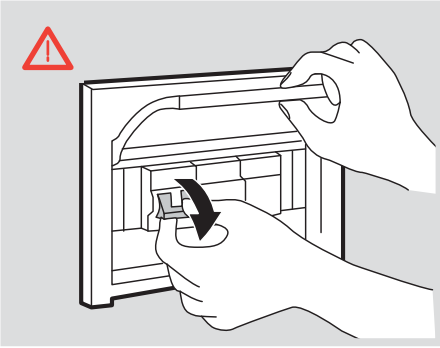


2

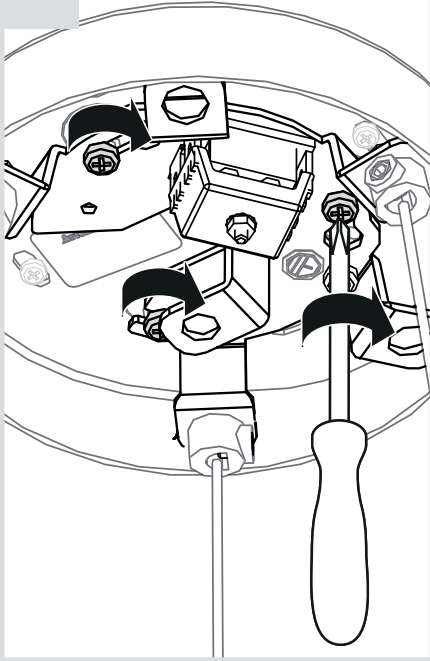


3

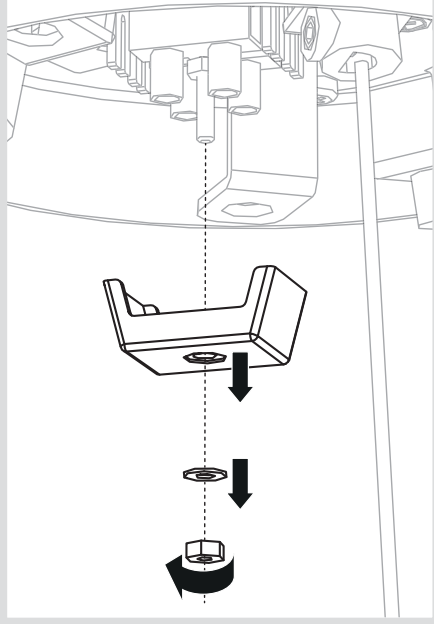




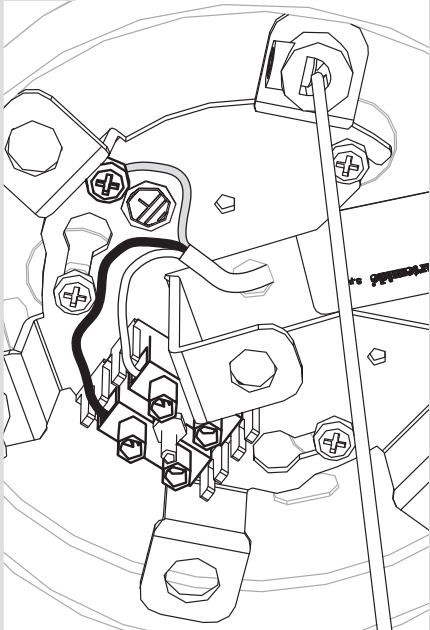
10



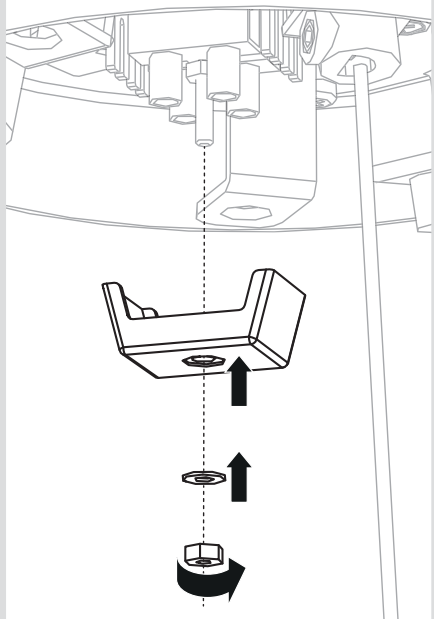
11

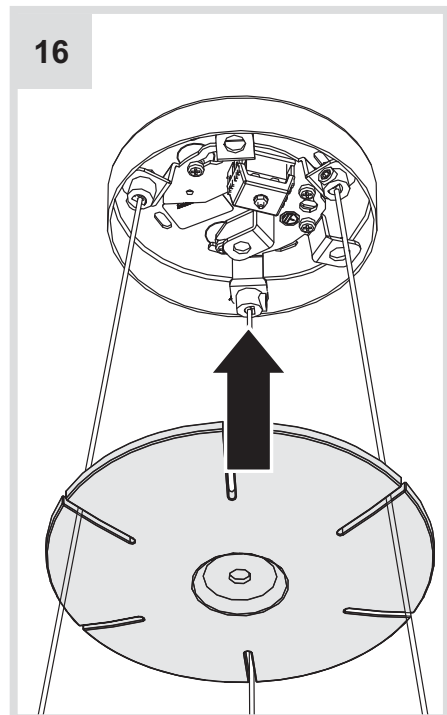
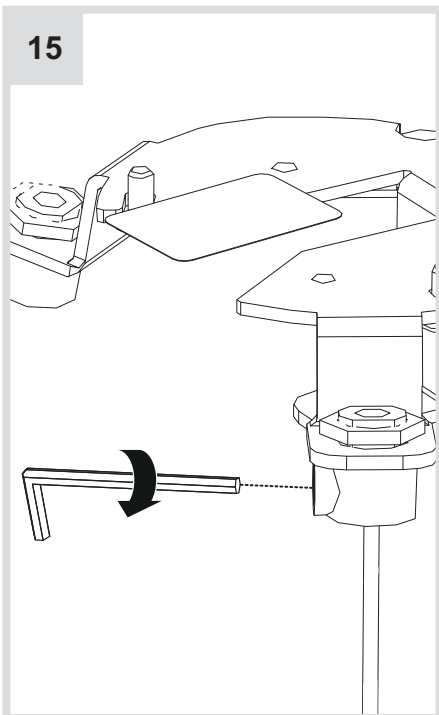
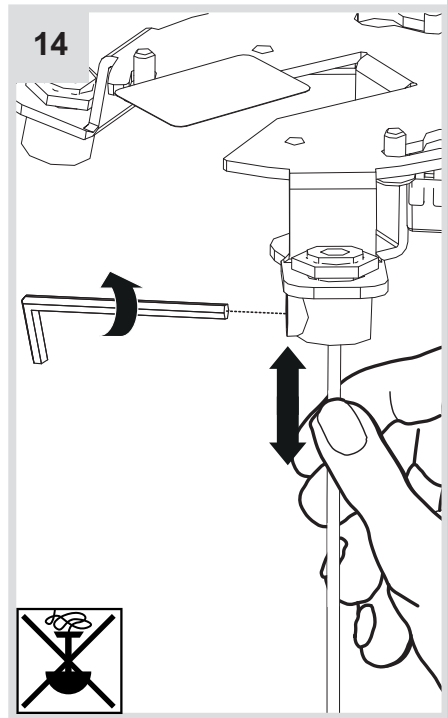
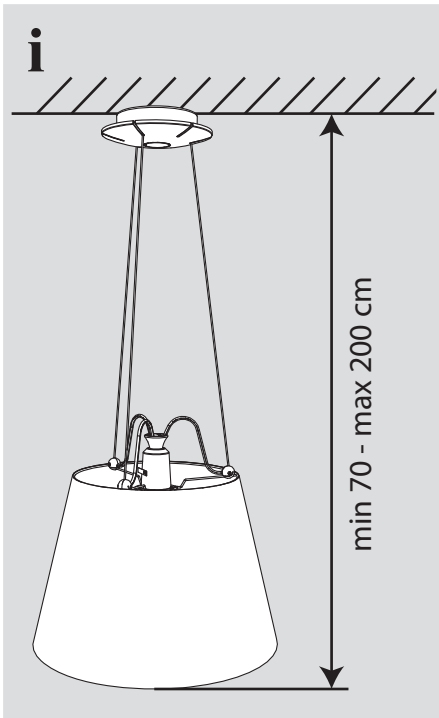


12

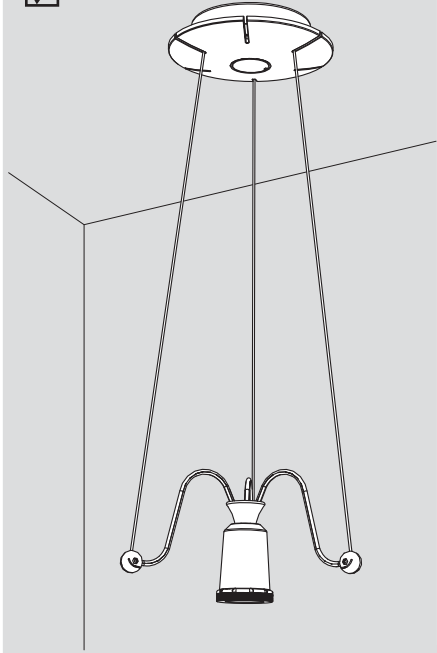
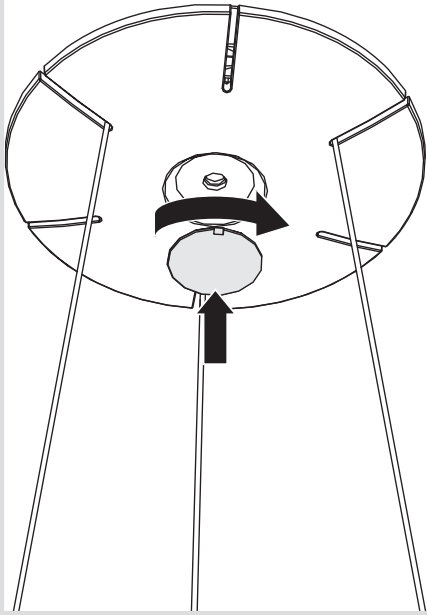


13

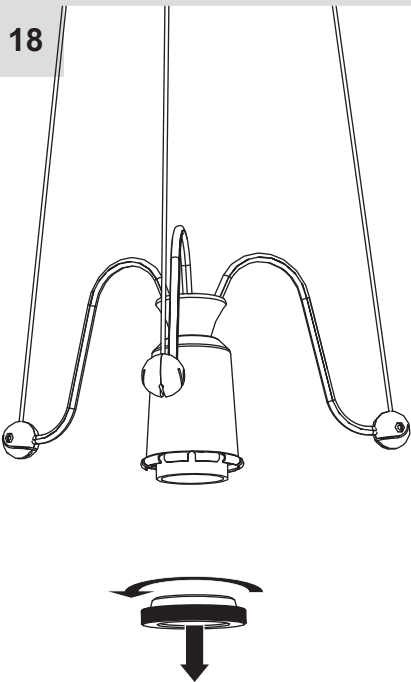




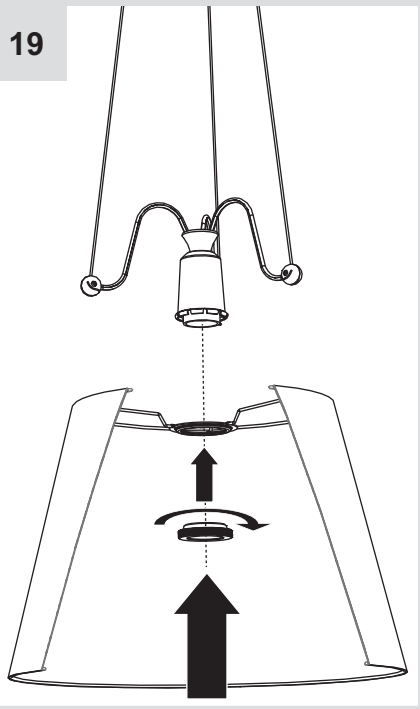
17

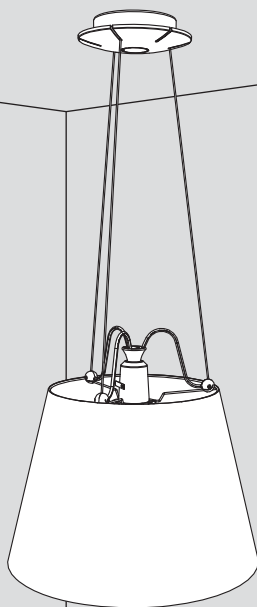
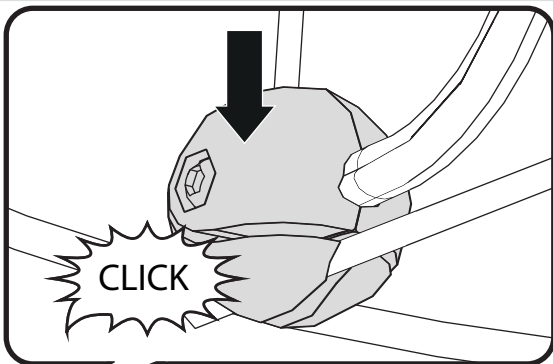
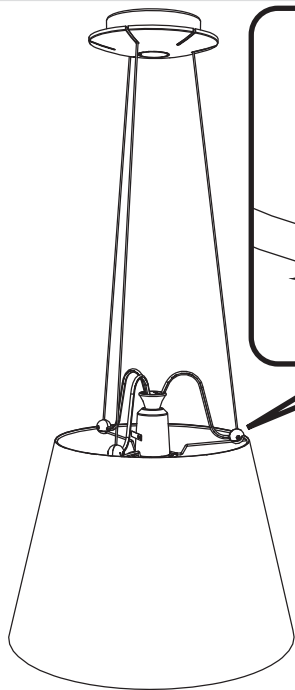


18



19

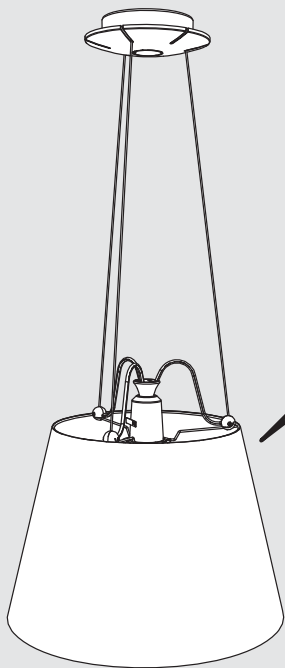








**i**

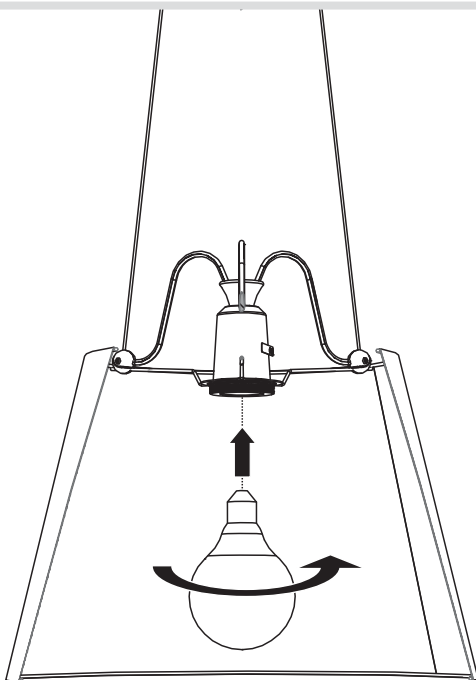


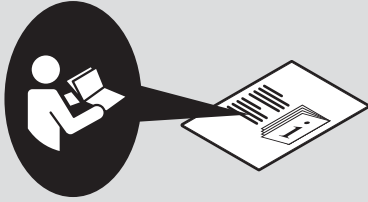
**MAX 150W - E27**

Halo: HSGST - 2900 lm

LED: DRAA - 2500 lm

21







**Artemide®**



## **Artemide**

via Bergamo, 18  
20010 Pregnana M.se (MI)  
ITALIA

tel. +39 02 935 181  
fax +39 02 935 90 254  
fax +39 02 935 90 496

[www.artemide.com](http://www.artemide.com)

VAT IT00846890150

cod. Y513000583