

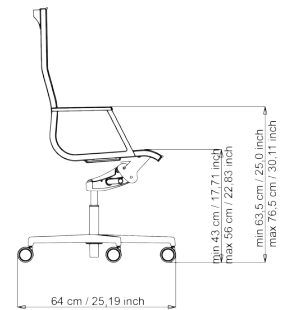
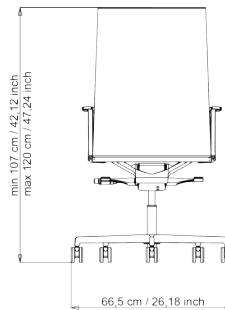


The Place for Ideas

NULITE

Design Luxy R&D

article: 24040
code: 4NL2402



18



no



1



21



0,3



91x70x68



Patent: 10022644
Warranty: 5 years

DESCRIPTION

EXECUTIVE, HIGH BACKREST, WITH CHROMED ALUMINIUM ARMRESTS, DECENTRATED MULTIBLOCK MECHANISM, POLISHED ALUMINIUM BASE, WITH Ø 65 mm BLACK WHEELS.

FINISHING: Chromed or painted with white and black epoxy powders with anti-scratch treatment.

BACK: mesh.

SEAT: mesh.

STRUCTURE: seat/back structure in high resistance steel tube 25x28 mm thickness 1,5 mm, with chrome plated or white epoxy powder finish and anti-scratch treatment.

ARMRESTS: in die-cast aluminum with chromed or epoxy powder painted finish, white or black anti-scratch epoxy powders; with padded steel insert and lining to match the seat and back.

MECHANISM: tilt multiblock.

BASE: swivel 5 or 4 star base in die-cast aluminum with glossy finish or painted with white or black epoxy powders with anti-scratch treatment.

CASTORS: self-braking rubber (standard) Ø 65 mm chromed, black or white.

UPHOLSTERY: 24000 SERIES: not removable upholstery, self-supporting mesh upholstery flame retardant (Class 1) with leather trim.

MAINTENANCE

CHROME PLATED PARTS: Clean with a soft cloth with some neutral detergent to polish the steel.

PAINTED PARTS: Clean with soft cloth dampened slightly with water and dry with a dry cloth.

PLASTIC PARTS: Use soft cloth dampened slightly with water, without insistence, then dry with a dry cloth.

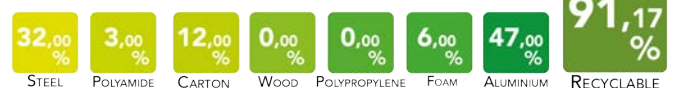
ALUMINIUM PARTS: To clean use only specific products to polish metal parts in order to reduce the natural oxidation due to the hands contact. The aluminum parts tarnish naturally. LUXY recommends not using chemical detergents.

FABRIC: Fabric: pour some drops of neutral detergent on a damp and wringed out cloth, rub gently on the seat and leave it dry. See maintenance instructions on LUXY upholstery book. Luxy recommends using ecological products.

LEATHER: Leather is a natural product. Imperfections give to the material its unmistakable aspect. In presence of marks, they have to be removed with a soft wool cloth. In case of ingrained stains, use only products for leather coloured with aniline. Do not expose leather to direct sunlight. Luxy recommends using ecological products.

CASTORS/FEET: For the enduser security and for different types of floor, different types of castors are available, as per security rules:
- hard castors for sift floors
- rubber castors for hard floors (standard).

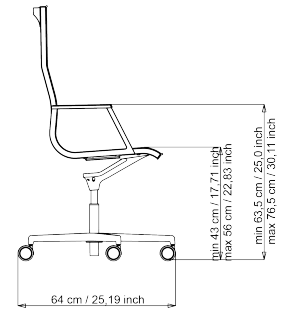
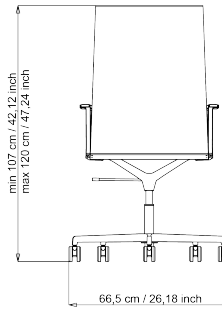
MATERIAL AND RECYCLABILITY



NULITE

Design Luxy R&D

article: 24040
code: 4NL2403



16,5



no



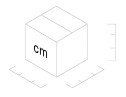
1



19,5



0,3



91x70x68

UNI ISO
9227

UNI EN
1335

Patent: 10022644
Warranty: 5 years

DESCRIPTION

EXECUTIVE, HIGH BACKREST, WITH CHROMED ALUMINIUM ARMRESTS, GAS LIFT, POLISHED ALUMINIUM BASE, WITH Ø 65 mm BLACK WHEELS.

FINISHING: Chromed or painted with white and black epoxy powders with anti-scratch treatment.

BACK: mesh.

SEAT: mesh.

STRUCTURE: seat/back structure in high resistance steel tube 25x28 mm thickness 1,5 mm, with chrome plated or white epoxy powder finish and anti-scratch treatment.

ARMRESTS: in die-cast aluminum with chromed or epoxy powder painted finish, white or black anti-scratch epoxy powders; with padded steel insert and lining to match the seat and back.

MECHANISM: gas lift.

BASE: swivel 5 or 4 star base in die-cast aluminum with glossy finish or painted with white or black epoxy powders with anti-scratch treatment.

CASTORS: self-braking rubber (standard) Ø 65 mm chromed, black or white.

UPHOLSTERY: 24000 SERIES: not removable upholstery, self-supporting mesh upholstery flame retardant (Class 1) with leather trim.

MAINTENANCE

CHROME PLATED PARTS: Clean with a soft cloth with some neutral detergent to polish the steel.

PAINTED PARTS: Clean with soft cloth dampened slightly with water and dry with a dry cloth.

PLASTIC PARTS: Use soft cloth dampened slightly with water, without insistence, then dry with a dry cloth.

ALUMINIUM PARTS: To clean use only specific products to polish metal parts in order to reduce the natural oxidation due to the hands contact. The aluminum parts tarnish naturally. LUXY recommends not using chemical detergents.

FABRIC: Fabric: pour some drops of neutral detergent on a damp and wringed out cloth, rub gently on the seat and leave it dry. See maintenance instructions on LUXY upholstery book. Luxy recommends using ecological products.

LEATHER: Leather is a natural product. Imperfections give to the material its unmistakable aspect. In presence of marks, they have to be removed with a soft wool cloth. In case of ingrained stains, use only products for leather coloured with aniline. Do not expose leather to direct sunlight. Luxy recommends using ecological products.

CASTORS/FEET: For the enduser security and for different types of floor, different types of castors are available, as per security rules:
- hard castors for soft floors
- rubber castors for hard floors (standard).

MATERIAL AND RECYCLABILITY

32,00 %
STEEL

3,00 %
POLYAMIDE

12,00 %
CARTON

0,00 %
WOOD

0,00 %
POLYPROPYLENE

6,00 %
FOAM

47,00 %
ALUMINIUM

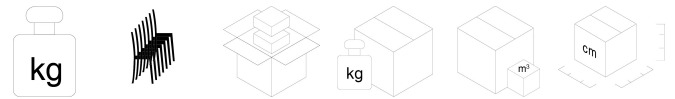
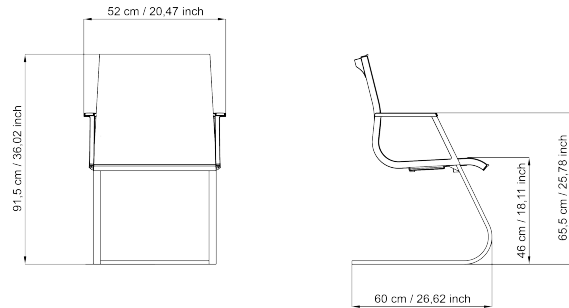
91,17 %
RECYCLABLE

NULITE

Design Luxy R&D

article: 24080B

code: 4NL2420



17 no 1 19 0,26 90x63 x62,5



Patent: 10022644
Warranty: 5 years

DESCRIPTION

Visitor chair, medium backrest, with chromed aluminum armrests, chromed structure.

FINISHING: Chromed or painted with white and black epoxy powders with anti-scratch treatment.

BACK: mesh.

SEAT: mesh.

STRUCTURE: seat/back structure in high resistance steel tube 25x28 mm thickness 1,5 mm, with chrome plated or white epoxy powder finish and anti-scratch treatment.

ARMRESTS: in die-cast aluminum with chromed or epoxy powder painted finish, white or black anti-scratch epoxy powders; with padded steel insert and lining to match the seat and back.

UPHOLSTERY: 24000 SERIES: not removable upholstery, self-supporting mesh upholstery flame retardant (Class 1) with leather trim.

MAINTENANCE

CHROME PLATED PARTS: Clean with a soft cloth with some neutral detergent to polish the steel.

PAINTED PARTS: Clean with soft cloth dampened slightly with water and dry with a dry cloth.

PLASTIC PARTS: Use soft cloth dampened slightly with water, without insistence, then dry with a dry cloth.

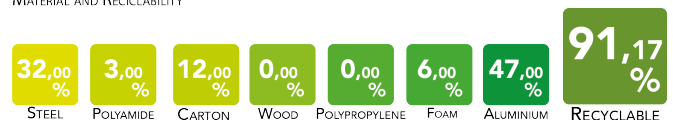
ALUMINIUM PARTS: To clean use only specific products to polish metal parts in order to reduce the natural oxidation due to the hands contact. The aluminum parts tarnish naturally. LUXY recommends not using chemical detergents.

FABRIC: Fabric: pour some drops of neutral detergent on a damp and wringed out cloth, rub gently on the seat and leave it dry. See maintenance instructions on LUXY upholstery book. Luxy recommends using ecological products.

LEATHER: Leather is a natural product. Imperfections give to the material its unmistakable aspect. In presence of marks, they have to be removed with a soft wool cloth. In case of ingrained stains, use only products for leather coloured with aniline. Do not expose leather to direct sunlight. Luxy recommends using ecological products.

CASTORS/FEET: For the enduser security and for different types of floor, different types of castors are available, as per security rules:
- hard castors for sift floors
- rubber castors for hard floors (standard).

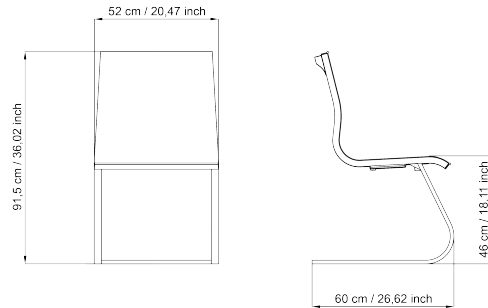
MATERIAL AND RECICLABILITY



NULITE

Design Luxy R&D

article: 24080
code: 4NL2422



14,5



no



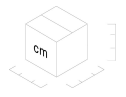
1



16,5



0,26



90x63
x62,5



Patent: 10022644
Warranty: 5 years

DESCRIPTION

Visitor chair, medium backrest, without armrests, chromed structure.

FINISHING: Chromed or painted with white and black epoxy powders with anti-scratch treatment.

BACK: mesh.

SEAT: mesh.

STRUCTURE: seat/back structure in high resistance steel tube 25x28 mm thickness 1,5 mm, with chrome plated or white epoxy powder finish and anti-scratch treatment.

UPHOLSTERY: 24000 SERIES: not removable upholstery, self-supporting mesh upholstery flame retardant (Class 1) with leather trim.

MAINTENANCE

CHROME PLATED PARTS: Clean with a soft cloth with some neutral detergent to polish the steel.

PAINTED PARTS: Clean with soft cloth dampened slightly with water and dry with a dry cloth.

PLASTIC PARTS: Use soft cloth dampened slightly with water, without insistence, then dry with a dry cloth.

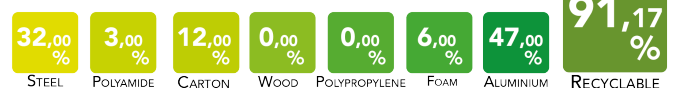
ALUMINIUM PARTS: To clean use only specific products to polish metal parts in order to reduce the natural oxidation due to the hands contact. The aluminum parts tarnish naturally. LUXY recommends not using chemical detergents.

FABRIC: Fabric: pour some drops of neutral detergent on a damp and wringed out cloth, rub gently on the seat and leave it dry. See maintenance instructions on LUXY upholstery book. Luxy recommends using ecological products.

LEATHER: Leather is a natural product. Imperfections give to the material its unmistakable aspect. In presence of marks, they have to be removed with a soft wool cloth. In case of ingrained stains, use only products for leather coloured with aniline. Do not expose leather to direct sunlight. Luxy recommends using ecological products.

CASTORS/FEET: For the enduser security and for different types of floor, different types of castors are available, as per security rules:
- hard castors for sift floors
- rubber castors for hard floors (standard).

MATERIAL AND RECICLABILITY

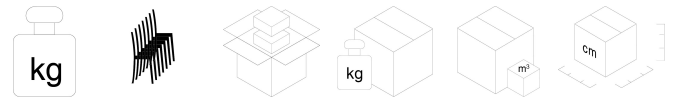
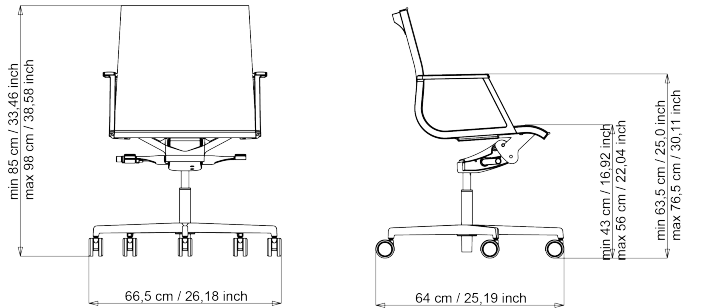


NULITE

Design Luxy R&D

article: 24090B

code: 4NI2404



16,5 no 1 18,5 0,2 65x67x47



Patent: 10022644

Warranty: 5 years

DESCRIPTION

EXECUTIVE, MEDIUM BACKREST, WITH CHROMED ALUMINIUM ARMRESTS, DECENTRATED MULTIBLOCK MECHANISM, POLISHED ALUMINIUM BASE, WITH Ø 65 mm black wheels.

FINISHING: Chromed or painted with white and black epoxy powders with anti-scratch treatment.

BACK: mesh.

SEAT: mesh.

STRUCTURE: seat/back structure in high resistance steel tube 25x28 mm thickness 1,5 mm, with chrome plated or white epoxy powder finish and anti-scratch treatment.

ARMRESTS: in die-cast aluminum with chromed or epoxy powder painted finish, white or black anti-scratch epoxy powders; with padded steel insert and lining to match the seat and back.

MECHANISM: tilt multiblock.

BASE: swivel 5 or 4 star base in die-cast aluminum with glossy finish or painted with white or black epoxy powders with anti-scratch treatment.

CASTORS: self-braking rubber (standard) Ø 65 mm chromed, black or white.

UPHOLSTERY: 24000 SERIES: not removable upholstery, self-supporting mesh upholstery flame retardant (Class 1) with leather trim.

MAINTENANCE

CHROME PLATED PARTS: Clean with a soft cloth with some neutral detergent to polish the steel.

PAINTED PARTS: Clean with soft cloth dampened slightly with water and dry with a dry cloth.

PLASTIC PARTS: Use soft cloth dampened slightly with water, without insistence, then dry with a dry cloth.

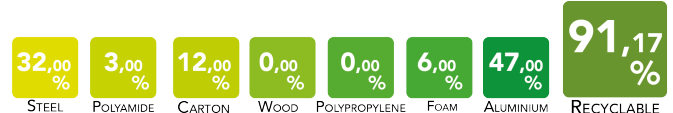
ALUMINIUM PARTS: To clean use only specific products to polish metal parts in order to reduce the natural oxidation due to the hands contact. The aluminum parts tarnish naturally. LUXY recommends not using chemical detergents.

FABRIC: Fabric: pour some drops of neutral detergent on a damp and wringed out cloth, rub gently on the seat and leave it dry. See maintenance instructions on LUXY upholstery book. Luxy recommends using ecological products.

LEATHER: Leather is a natural product. Imperfections give to the material its unmistakable aspect. In presence of marks, they have to be removed with a soft wool cloth. In case of ingrained stains, use only products for leather coloured with aniline. Do not expose leather to direct sunlight. Luxy recommends using ecological products.

CASTORS/FEET: For the enduser security and for different types of floor, different types of castors are available, as per security rules:
- hard castors for sift floors
- rubber castors for hard floors (standard).

MATERIAL AND RECYCLABILITY

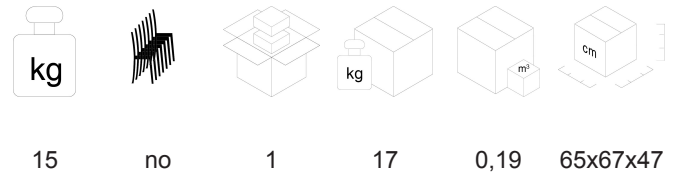
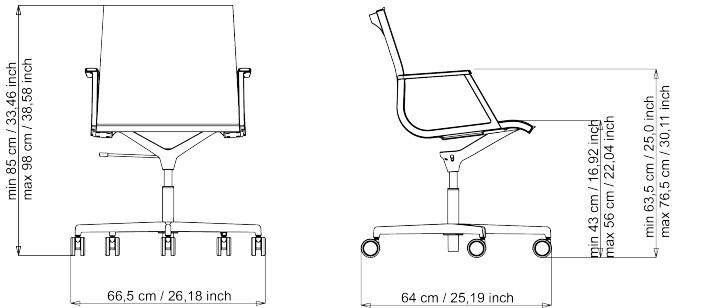


NULITE

Design Luxy R&D

article: 24090B

code: 4NI2406



Patent: 10022644

Warranty: 5 years

DESCRIPTION

EXECUTIVE, MEDIUM BACKREST, WITH CHROMED ALUMINIUM ARMRESTS, GAS LIFT, POLISHED ALUMINIUM BASE, WITH Ø 65 mm BLACK WHEELS.

FINISHING: Chromed or painted with white and black epoxy powders with anti-scratch treatment.

BACK: mesh.

SEAT: mesh.

STRUCTURE: seat/back structure in high resistance steel tube 25x28 mm thickness 1,5 mm, with chrome plated or white epoxy powder finish and anti-scratch treatment.

ARMRESTS: in die-cast aluminum with chromed or epoxy powder painted finish, white or black anti-scratch epoxy powders; with padded steel insert and lining to match the seat and back.

MECHANISM: gas lift.

BASE: swivel 5 or 4 star base in die-cast aluminum with glossy finish or painted with white or black epoxy powders with anti-scratch treatment.

CASTORS: self-braking rubber (standard) Ø 65 mm chromed, black or white.

UPHOLSTERY: 24000 SERIES: not removable upholstery, self-supporting mesh upholstery flame retardant (Class 1) with leather trim.

MAINTENANCE

CHROME PLATED PARTS: Clean with a soft cloth with some neutral detergent to polish the steel.

PAINTED PARTS: Clean with soft cloth dampened slightly with water and dry with a dry cloth.

PLASTIC PARTS: Use soft cloth dampened slightly with water, without insistence, then dry with a dry cloth.

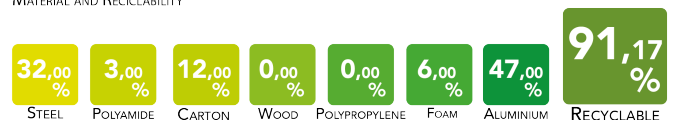
ALUMINIUM PARTS: To clean use only specific products to polish metal parts in order to reduce the natural oxidation due to the hands contact. The aluminum parts tarnish naturally. LUXY recommends not using chemical detergents.

FABRIC: Fabric: pour some drops of neutral detergent on a damp and wringed out cloth, rub gently on the seat and leave it dry. See maintenance instructions on LUXY upholstery book. Luxy recommends using ecological products.

LEATHER: Leather is a natural product. Imperfections give to the material its unmistakable aspect. In presence of marks, they have to be removed with a soft wool cloth. In case of ingrained stains, use only products for leather coloured with aniline. Do not expose leather to direct sunlight. Luxy recommends using ecological products.

CASTORS/FEET: For the enduser security and for different types of floor, different types of castors are available, as per security rules:
 - hard castors for sift floors
 - rubber castors for hard floors (standard).

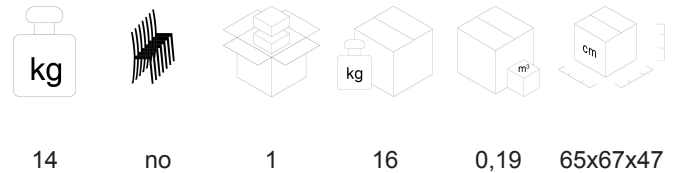
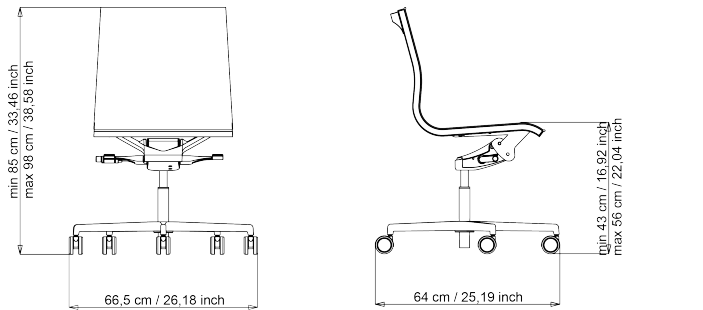
MATERIAL AND RECYCLABILITY



NULITE

Design Luxy R&D

article: 24090
code: 4NL2408



Patent: 10022644
Warranty: 5 years

DESCRIPTION

EXECUTIVE, medium backrest, without armrests, decentrated multiblock mechanism, polished aluminum base, with Ø 65 mm black wheels.

FINISHING: Chromed or painted with white and black epoxy powders with anti-scratch treatment.

BACK: mesh.

SEAT: mesh.

STRUCTURE: seat/back structure in high resistance steel tube 25x28 mm thickness 1,5 mm, with chrome plated or white epoxy powder finish and anti-scratch treatment.

MECHANISM: tilt multiblock.

BASE: swivel 5 or 4 star base in die-cast aluminum with glossy finish or painted with white or black epoxy powders with anti-scratch treatment.

CASTORS: self-braking rubber (standard) Ø 65 mm chromed, black or white.

UPHOLSTERY: 24000 SERIES: not removable upholstery, self-supporting mesh upholstery flame retardant (Class 1) with leather trim.

MAINTENANCE

CHROME PLATED PARTS: Clean with a soft cloth with some neutral detergent to polish the steel.

PAINTED PARTS: Clean with soft cloth dampened slightly with water and dry with a dry cloth.

PLASTIC PARTS: Use soft cloth dampened slightly with water, without insistence, then dry with a dry cloth.

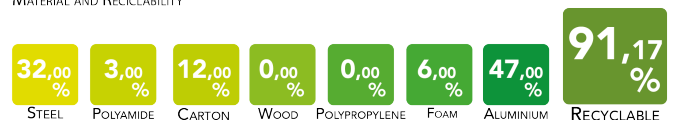
ALUMINIUM PARTS: To clean use only specific products to polish metal parts in order to reduce the natural oxidation due to the hands contact. The aluminum parts tarnish naturally. LUXY recommends not using chemical detergents.

FABRIC: Fabric: pour some drops of neutral detergent on a damp and wringed out cloth, rub gently on the seat and leave it dry. See maintenance instructions on LUXY upholstery book. Luxy recommends using ecological products.

LEATHER: Leather is a natural product. Imperfections give to the material its unmistakable aspect. In presence of marks, they have to be removed with a soft wool cloth. In case of ingrained stains, use only products for leather coloured with aniline. Do not expose leather to direct sunlight. Luxy recommends using ecological products.

CASTORS/FEET: For the enduser security and for different types of floor, different types of castors are available, as per security rules:
- hard castors for sift floors
- rubber castors for hard floors (standard).

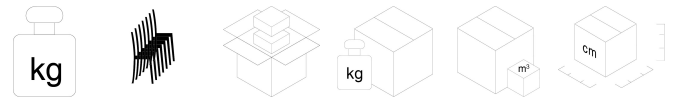
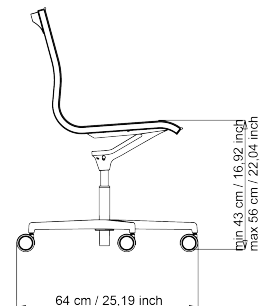
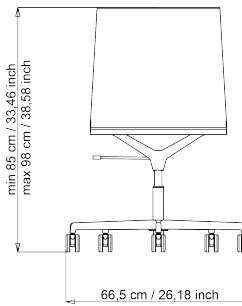
MATERIAL AND RECICLABILITY



NULITE

Design Luxy R&D

article: 24090
code: 4NL2410



12 no 1 14 0,19 65x67x47



Patent: 10022644
Warranty: 5 years

DESCRIPTION

EXECUTIVE, medium backrest, without armrests, gas lift, polished aluminum base, with Ø 65 mm black wheels.

FINISHING: Chromed or painted with white and black epoxy powders with anti-scratch treatment.

BACK: mesh.

SEAT: mesh.

STRUCTURE: seat/back structure in high resistance steel tube 25x28 mm thickness 1,5 mm, with chrome plated or white epoxy powder finish and anti-scratch treatment.

MECHANISM: gas lift.

BASE: swivel 5 or 4 star base in die-cast aluminum with glossy finish or painted with white or black epoxy powders with anti-scratch treatment.

CASTORS: self-braking rubber (standard) Ø 65 mm chromed, black or white.

UPHOLSTERY: 24000 SERIES: not removable upholstery, self-supporting mesh upholstery flame retardant (Class 1) with leather trim.

MAINTENANCE

CHROME PLATED PARTS: Clean with a soft cloth with some neutral detergent to polish the steel.

PAINTED PARTS: Clean with soft cloth dampened slightly with water and dry with a dry cloth.

PLASTIC PARTS: Use soft cloth dampened slightly with water, without insistence, then dry with a dry cloth.

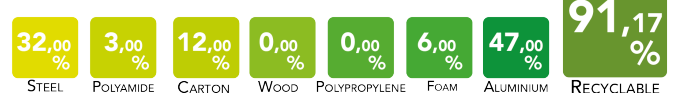
ALUMINIUM PARTS: To clean use only specific products to polish metal parts in order to reduce the natural oxidation due to the hands contact. The aluminum parts tarnish naturally. LUXY recommends not using chemical detergents.

FABRIC: Fabric: pour some drops of neutral detergent on a damp and wringed out cloth, rub gently on the seat and leave it dry. See maintenance instructions on LUXY upholstery book. Luxy recommends using ecological products.

LEATHER: Leather is a natural product. Imperfections give to the material its unmistakable aspect. In presence of marks, they have to be removed with a soft wool cloth. In case of ingrained stains, use only products for leather coloured with aniline. Do not expose leather to direct sunlight. Luxy recommends using ecological products.

CASTORS/FEET: For the enduser security and for different types of floor, different types of castors are available, as per security rules:
- hard castors for soft floors
- rubber castors for hard floors (standard).

MATERIAL AND RECYCLABILITY

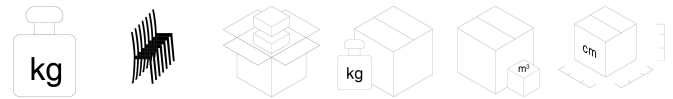
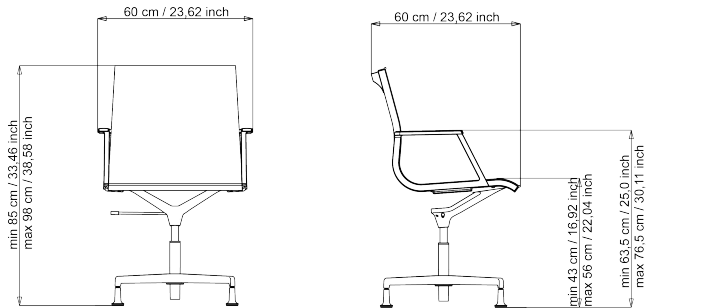


NULITE

Design Luxy R&D

article: 24100B

code: 4NL2412



14,5 no 1 16,5 0,19 65x67x47



Patent: 10022644

Warranty: 5 years

DESCRIPTION

EXECUTIVE, MEDIUM BACKREST, WITH CHROMED ALUMINIUM ARMRESTS, GAS LIFT, 4 STAR POLISHED ALUMINIUM BASE, WITH CHROMED GLIDES.

FINISHING: Chromed or painted with white and black epoxy powders with anti-scratch treatment.

BACK: mesh.

SEAT: mesh.

STRUCTURE: seat/back structure in high resistance steel tube 25x28 mm thickness 1,5 mm, with chrome plated or white epoxy powder finish and anti-scratch treatment.

ARMRESTS: in die-cast aluminum with chromed or epoxy powder painted finish, white or black anti-scratch epoxy powders; with padded steel insert and lining to match the seat and back.

MECHANISM: gas lift.

BASE: swivel 5 or 4 star base in die-cast aluminum with glossy finish or painted with white or black epoxy powders with anti-scratch treatment.

UPHOLSTERY: 24000 SERIES: not removable upholstery, self-supporting mesh upholstery flame retardant (Class 1) with leather trim.

MAINTENANCE

CHROME PLATED PARTS: Clean with a soft cloth with some neutral detergent to polish the steel.

PAINTED PARTS: Clean with soft cloth dampened slightly with water and dry with a dry cloth.

PLASTIC PARTS: Use soft cloth dampened slightly with water, without insistence, then dry with a dry cloth.

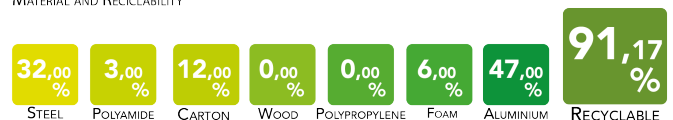
ALUMINIUM PARTS: To clean use only specific products to polish metal parts in order to reduce the natural oxidation due to the hands contact. The aluminum parts tarnish naturally. LUXY recommends not using chemical detergents.

FABRIC: Fabric: pour some drops of neutral detergent on a damp and wringed out cloth, rub gently on the seat and leave it dry. See maintenance instructions on LUXY upholstery book. Luxy recommends using ecological products.

LEATHER: Leather is a natural product. Imperfections give to the material its unmistakable aspect. In presence of marks, they have to be removed with a soft wool cloth. In case of ingrained stains, use only products for leather coloured with aniline. Do not expose leather to direct sunlight. Luxy recommends using ecological products.

CASTORS/FEET: For the enduser security and for different types of floor, different types of castors are available, as per security rules:
- hard castors for sift floors
- rubber castors for hard floors (standard).

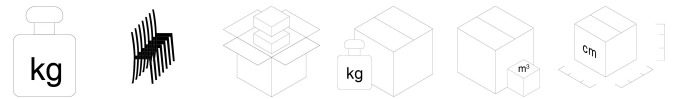
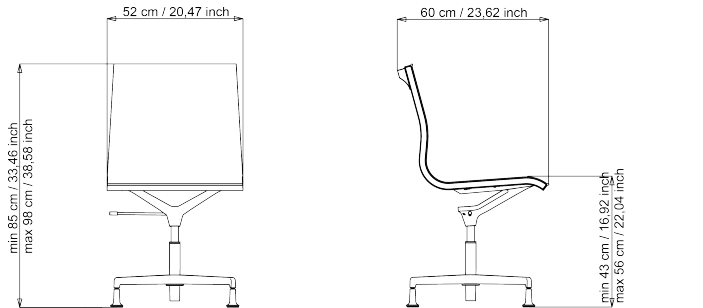
MATERIAL AND RECYCLABILITY



NULITE

Design Luxy R&D

article: 24100
code: 4NL2416



11,5 no 1 13,5 0,19 65x67x47



Patent: 10022644
Warranty: 5 years

DESCRIPTION

Executive, medium backrest, without armrests, gas lift, 4 star polished aluminum base, with chromed glides.

FINISHING: Chromed or painted with white and black epoxy powders with anti-scratch treatment.

BACK: mesh.

SEAT: mesh.

STRUCTURE: seat/back structure in high resistance steel tube 25x28 mm thickness 1,5 mm, with chrome plated or white epoxy powder finish and anti-scratch treatment.

MECHANISM: gas lift.

BASE: swivel 5 or 4 star base in die-cast aluminum with glossy finish or painted with white or black epoxy powders with anti-scratch treatment.

UPHOLSTERY: 24000 SERIES: not removable upholstery, self-supporting mesh upholstery flame retardant (Class 1) with leather trim.

MAINTENANCE

CHROME PLATED PARTS: Clean with a soft cloth with some neutral detergent to polish the steel.

PAINTED PARTS: Clean with soft cloth dampened slightly with water and dry with a dry cloth.

PLASTIC PARTS: Use soft cloth dampened slightly with water, without insistence, then dry with a dry cloth.

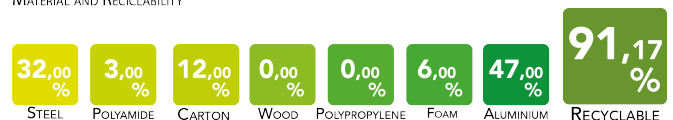
ALUMINIUM PARTS: To clean use only specific products to polish metal parts in order to reduce the natural oxidation due to the hands contact. The aluminum parts tarnish naturally. LUXY recommends not using chemical detergents.

FABRIC: Fabric: pour some drops of neutral detergent on a damp and wringed out cloth, rub gently on the seat and leave it dry. See maintenance instructions on LUXY upholstery book. Luxy recommends using ecological products.

LEATHER: Leather is a natural product. Imperfections give to the material its unmistakable aspect. In presence of marks, they have to be removed with a soft wool cloth. In case of ingrained stains, use only products for leather coloured with aniline. Do not expose leather to direct sunlight. Luxy recommends using ecological products.

CASTORS/FEET: For the enduser security and for different types of floor, different types of castors are available, as per security rules:
- hard castors for sift floors
- rubber castors for hard floors (standard).

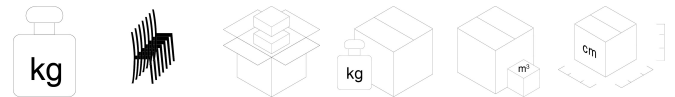
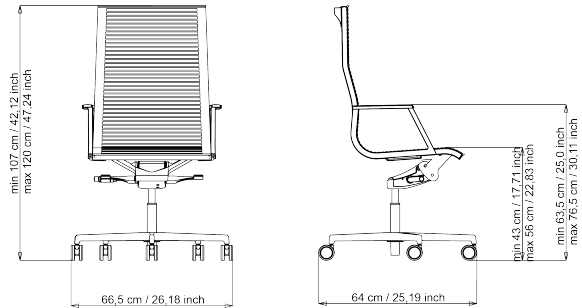
MATERIAL AND RECYCLABILITY



NULITE

Design Luxy R&D

article: 26040
code: 4NL2602



19 no 1 22 0,3 91x70x68



Patent: 10022644
Warranty: 5 years

DESCRIPTION

EXECUTIVE, HIGH BACKREST, WITH CHROMED ALUMINIUM ARMRESTS, DECENTRATED MULTIBLOCK MECHANISM, POLISHED ALUMINIUM BASE, WITH Ø 65 mm BLACK WHEELS.

FINISHING: Chromed or painted with white and black epoxy powders with anti-scratch treatment.

BACK: PVC support, fireproof foam.

SEAT: PVC support, fireproof foam.

STRUCTURE: seat/back structure in high resistance steel tube 25x28 mm thickness 1,5 mm, with chrome plated or white epoxy powder finish and anti-scratch treatment.

ARMRESTS: in die-cast aluminum with chromed or epoxy powder painted finish, white or black anti-scratch epoxy powders; with padded steel insert and lining to match the seat and back.

MECHANISM: tilt multiblock.

BASE: swivel 5 or 4 star base in die-cast aluminum with glossy finish or painted with white or black epoxy powders with anti-scratch treatment.

CASTORS: self-braking rubber (standard) Ø 65 mm chromed, black or white.

UPHOLSTERY: 26000 SERIES: not removable upholstery, padding produced with thermal shaping system in fireproof foam density 65 kg/m³.

MAINTENANCE

CHROME PLATED PARTS: Clean with a soft cloth with some neutral detergent to polish the steel.

PAINTED PARTS: Clean with soft cloth dampened slightly with water and dry with a dry cloth.

PLASTIC PARTS: Use soft cloth dampened slightly with water, without insistence, then dry with a dry cloth.

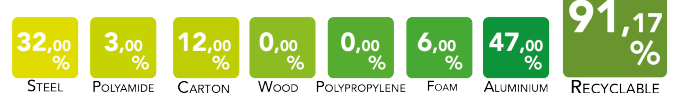
ALUMINIUM PARTS: To clean use only specific products to polish metal parts in order to reduce the natural oxidation due to the hands contact. The aluminum parts tarnish naturally. LUXY recommends not using chemical detergents.

FABRIC: Fabric: pour some drops of neutral detergent on a damp and wringed out cloth, rub gently on the seat and leave it dry. See maintenance instructions on LUXY upholstery book. Luxy recommends using ecological products.

LEATHER: Leather is a natural product. Imperfections give to the material its unmistakable aspect. In presence of marks, they have to be removed with a soft wool cloth. In case of ingrained stains, use only products for leather coloured with aniline. Do not expose leather to direct sunlight. Luxy recommends using ecological products.

CASTORS/FEET: For the enduser security and for different types of floor, different types of castors are available, as per security rules:
- hard castors for soft floors
- rubber castors for hard floors (standard).

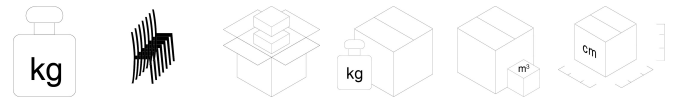
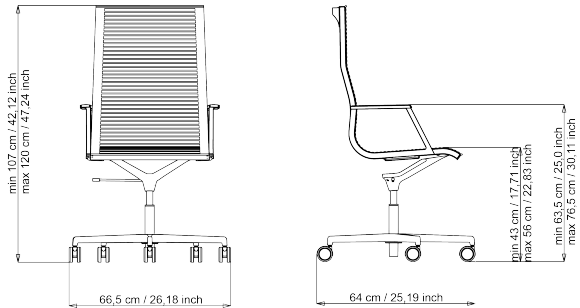
MATERIAL AND RECYCLABILITY



NULITE

Design Luxy R&D

article: 26040
code: 4NL2603



17,5 no 1 20,5 0,3 91x70x68

UNI ISO 9227
UNI EN 1335

Patent: 10022644
Warranty: 5 years

DESCRIPTION

EXECUTIVE, HIGH BACKREST, WITH CHROMED ALUMINIUM ARMRESTS, GAS LIFT, POLISHED ALUMINIUM BASE, WITH Ø 65 mm BLACK WHEELS.

FINISHING: Chromed or painted with white and black epoxy powders with anti-scratch treatment.

BACK: PVC support, fireproof foam.

SEAT: PVC support, fireproof foam.

STRUCTURE: seat/back structure in high resistance steel tube 25x28 mm thickness 1,5 mm, with chrome plated or white epoxy powder finish and anti-scratch treatment.

ARMRESTS: in die-cast aluminum with chromed or epoxy powder painted finish, white or black anti-scratch epoxy powders; with padded steel insert and lining to match the seat and back.

MECHANISM: gas lift.

BASE: swivel 5 or 4 star base in die-cast aluminum with glossy finish or painted with white or black epoxy powders with anti-scratch treatment.

CASTORS: self-braking rubber (standard) Ø 65 mm chromed, black or white.

UPHOLSTERY: 26000 SERIES: not removable upholstery, padding produced with thermal shaping system in fireproof foam density 65 kg/m³.

MAINTENANCE

CHROME PLATED PARTS: Clean with a soft cloth with some neutral detergent to polish the steel.

PAINTED PARTS: Clean with soft cloth dampened slightly with water and dry with a dry cloth.

PLASTIC PARTS: Use soft cloth dampened slightly with water, without insistence, then dry with a dry cloth.

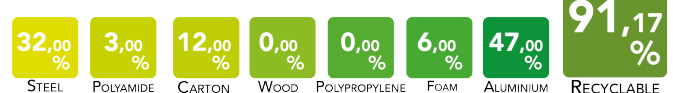
ALUMINIUM PARTS: To clean use only specific products to polish metal parts in order to reduce the natural oxidation due to the hands contact. The aluminum parts tarnish naturally. LUXY recommends not using chemical detergents.

FABRIC: Fabric: pour some drops of neutral detergent on a damp and wringed out cloth, rub gently on the seat and leave it dry. See maintenance instructions on LUXY upholstery book. Luxy recommends using ecological products.

LEATHER: Leather is a natural product. Imperfections give to the material its unmistakable aspect. In presence of marks, they have to be removed with a soft wool cloth. In case of ingrained stains, use only products for leather coloured with aniline. Do not expose leather to direct sunlight. Luxy recommends using ecological products.

CASTORS/FEET: For the enduser security and for different types of floor, different types of castors are available, as per security rules:
- hard castors for soft floors
- rubber castors for hard floors (standard).

MATERIAL AND RECYCLABILITY

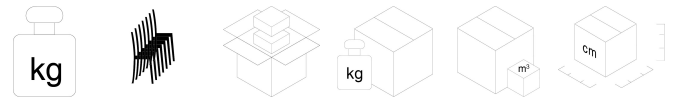
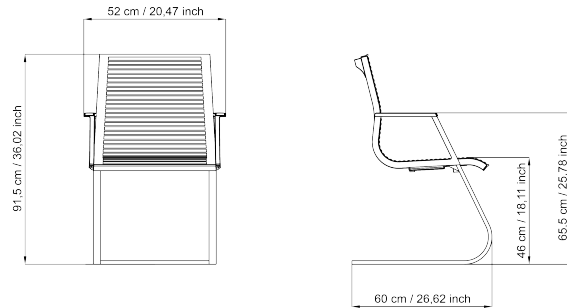


NULITE

Design Luxy R&D

article: 26080B

code: 4NL2620



18 no 1 20 0,26 90x63
x62,5



Patent: 10022644
Warranty: 5 years

DESCRIPTION

Visitor chair, medium backrest, with chromed aluminum armrests, chromed structure.

FINISHING: Chromed or painted with white and black epoxy powders with anti-scratch treatment.

BACK: PVC support, fireproof foam.

SEAT: PVC support, fireproof foam.

STRUCTURE: seat/back structure in high resistance steel tube 25x28 mm thickness 1,5 mm, with chrome plated or white epoxy powder finish and anti-scratch treatment.

ARMRESTS: in die-cast aluminum with chromed or epoxy powder painted finish, white or black anti-scratch epoxy powders; with padded steel insert and lining to match the seat and back.

UPHOLSTERY: 26000 SERIES: not removable upholstery, padding produced with thermal shaping system in fireproof foam density 65 kg/m³.

MAINTENANCE

CHROME PLATED PARTS: Clean with a soft cloth with some neutral detergent to polish the steel.

PAINTED PARTS: Clean with soft cloth dampened slightly with water and dry with a dry cloth.

PLASTIC PARTS: Use soft cloth dampened slightly with water, without insistence, then dry with a dry cloth.

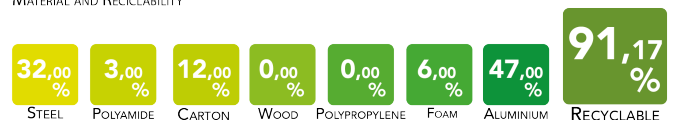
ALUMINIUM PARTS: To clean use only specific products to polish metal parts in order to reduce the natural oxidation due to the hands contact. The aluminum parts tarnish naturally. LUXY recommends not using chemical detergents.

FABRIC: Fabric: pour some drops of neutral detergent on a damp and wringed out cloth, rub gently on the seat and leave it dry. See maintenance instructions on LUXY upholstery book. Luxy recommends using ecological products.

LEATHER: Leather is a natural product. Imperfections give to the material its unmistakable aspect. In presence of marks, they have to be removed with a soft wool cloth. In case of ingrained stains, use only products for leather coloured with aniline. Do not expose leather to direct sunlight. Luxy recommends using ecological products.

CASTORS/FEET: For the enduser security and for different types of floor, different types of castors are available, as per security rules:
- hard castors for sift floors
- rubber castors for hard floors (standard).

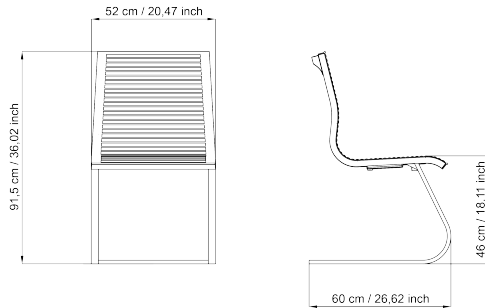
MATERIAL AND RECICLABILITY



NULITE

Design Luxy R&D

article: 26080
code: 4NL2622



14,5



no



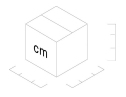
1



17



0,26



90x63
x62,5



Patent: 10022644
Warranty: 5 years

DESCRIPTION

Visitor chair, medium backrest, without armrests, chromed structure.

FINISHING: Chromed or painted with white and black epoxy powders with anti-scratch treatment.

BACK: PVC support, fireproof foam.

SEAT: PVC support, fireproof foam.

STRUCTURE: seat/back structure in high resistance steel tube 25x28 mm thickness 1,5 mm, with chrome plated or white epoxy powder finish and anti-scratch treatment.

UPHOLSTERY: 26000 SERIES: not removable upholstery, padding produced with thermal shaping system in fireproof foam density 65 kg/m³.

MAINTENANCE

CHROME PLATED PARTS: Clean with a soft cloth with some neutral detergent to polish the steel.

PAINTED PARTS: Clean with soft cloth dampened slightly with water and dry with a dry cloth.

PLASTIC PARTS: Use soft cloth dampened slightly with water, without insistence, then dry with a dry cloth.

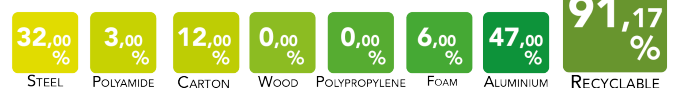
ALUMINIUM PARTS: To clean use only specific products to polish metal parts in order to reduce the natural oxidation due to the hands contact. The aluminum parts tarnish naturally. LUXY recommends not using chemical detergents.

FABRIC: Fabric: pour some drops of neutral detergent on a damp and wringed out cloth, rub gently on the seat and leave it dry. See maintenance instructions on LUXY upholstery book. Luxy recommends using ecological products.

LEATHER: Leather is a natural product. Imperfections give to the material its unmistakable aspect. In presence of marks, they have to be removed with a soft wool cloth. In case of ingrained stains, use only products for leather coloured with aniline. Do not expose leather to direct sunlight. Luxy recommends using ecological products.

CASTORS/FEET: For the enduser security and for different types of floor, different types of castors are available, as per security rules:
- hard castors for sift floors
- rubber castors for hard floors (standard).

MATERIAL AND RECICLABILITY

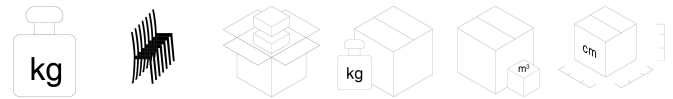
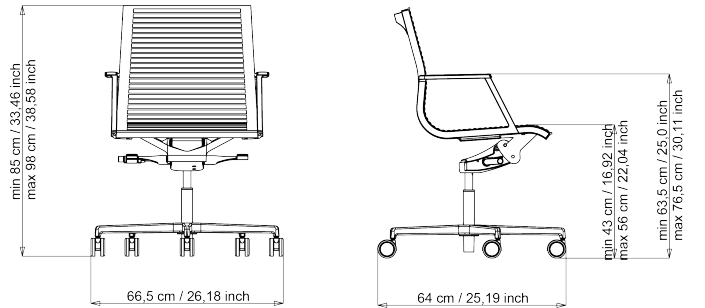


NULITE

Design Luxy R&D

article: 26090B

code: 4NI2604



17,5 no 1 19,5 0,19 65x67x47



Patent: 10022644

Warranty: 5 years

DESCRIPTION

EXECUTIVE, MEDIUM BACKREST, WITH CHROMED ALUMINIUM ARMRESTS, DECENTRATED MULTIBLOCK MECHANISM, POLISHED ALUMINIUM BASE, WITH Ø 65 mm black wheels.

FINISHING: Chromed or painted with white and black epoxy powders with anti-scratch treatment.

BACK: PVC support, fireproof foam.

SEAT: PVC support, fireproof foam.

STRUCTURE: seat/back structure in high resistance steel tube 25x28 mm thickness 1,5 mm, with chrome plated or white epoxy powder finish and anti-scratch treatment.

ARMRESTS: in die-cast aluminum with chromed or epoxy powder painted finish, white or black anti-scratch epoxy powders; with padded steel insert and lining to match the seat and back.

MECHANISM: tilt multiblock.

BASE: swivel 5 or 4 star base in die-cast aluminum with glossy finish or painted with white or black epoxy powders with anti-scratch treatment.

CASTORS: self-braking rubber (standard) Ø 65 mm chromed, black or white.

UPHOLSTERY: 26000 SERIES: not removable upholstery, padding produced with thermal shaping system in fireproof foam density 65 kg/m³.

MAINTENANCE

CHROME PLATED PARTS: Clean with a soft cloth with some neutral detergent to polish the steel.

PAINTED PARTS: Clean with soft cloth dampened slightly with water and dry with a dry cloth.

PLASTIC PARTS: Use soft cloth dampened slightly with water, without insistence, then dry with a dry cloth.

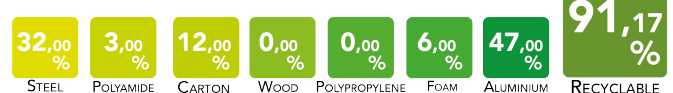
ALUMINIUM PARTS: To clean use only specific products to polish metal parts in order to reduce the natural oxidation due to the hands contact. The aluminum parts tarnish naturally. LUXY recommends not using chemical detergents.

FABRIC: Fabric: pour some drops of neutral detergent on a damp and wringed out cloth, rub gently on the seat and leave it dry. See maintenance instructions on LUXY upholstery book. Luxy recommends using ecological products.

LEATHER: Leather is a natural product. Imperfections give to the material its unmistakable aspect. In presence of marks, they have to be removed with a soft wool cloth. In case of ingrained stains, use only products for leather coloured with aniline. Do not expose leather to direct sunlight. Luxy recommends using ecological products.

CASTORS/FEET: For the enduser security and for different types of floor, different types of castors are available, as per security rules:
- hard castors for sift floors
- rubber castors for hard floors (standard).

MATERIAL AND RECYCLABILITY

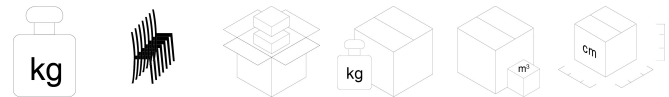
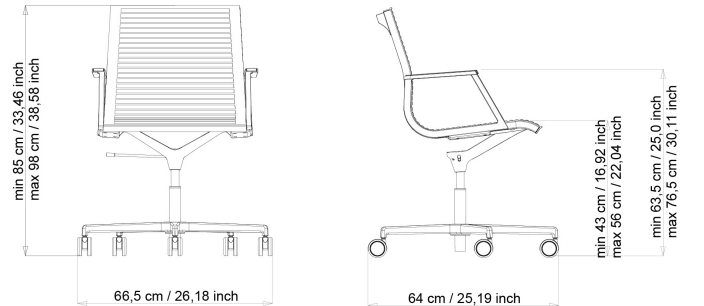


NULITE

Design Luxy R&D

article: 26090B

code: 4NL2606



16 no 1 19 0,19 65x67x48

UNI ISO 9227 UNI EN 1335

Patent: 10022644

Warranty: 5 years

DESCRIPTION

EXECUTIVE, MEDIUM BACKREST, WITH CHROMED ALUMINIUM ARMRESTS, GAS LIFT, POLISHED ALUMINIUM BASE, WITH Ø 65 mm BLACK WHEELS.

FINISHING: Chromed or painted with white and black epoxy powders with anti-scratch treatment.

BACK: PVC support, fireproof foam.

SEAT: PVC support, fireproof foam.

STRUCTURE: seat/back structure in high resistance steel tube 25x28 mm thickness 1,5 mm, with chrome plated or white epoxy powder finish and anti-scratch treatment.

ARMRESTS: in die-cast aluminum with chromed or epoxy powder painted finish, white or black anti-scratch epoxy powders; with padded steel insert and lining to match the seat and back.

MECHANISM: gas lift.

BASE: swivel 5 or 4 star base in die-cast aluminum with glossy finish or painted with white or black epoxy powders with anti-scratch treatment.

CASTORS: self-braking rubber (standard) Ø 65 mm chromed, black or white.

UPHOLSTERY: 26000 SERIES: not removable upholstery, padding produced with thermal shaping system in fireproof foam density 65 kg/m³.

MAINTENANCE

CHROME PLATED PARTS: Clean with a soft cloth with some neutral detergent to polish the steel.

PAINTED PARTS: Clean with soft cloth dampened slightly with water and dry with a dry cloth.

PLASTIC PARTS: Use soft cloth dampened slightly with water, without insistence, then dry with a dry cloth.

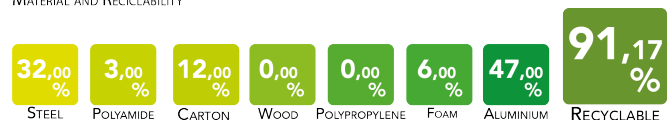
ALUMINIUM PARTS: To clean use only specific products to polish metal parts in order to reduce the natural oxidation due to the hands contact. The aluminum parts tarnish naturally. LUXY recommends not using chemical detergents.

FABRIC: Fabric: pour some drops of neutral detergent on a damp and wringed out cloth, rub gently on the seat and leave it dry. See maintenance instructions on LUXY upholstery book. Luxy recommends using ecological products.

LEATHER: Leather is a natural product. Imperfections give to the material its unmistakable aspect. In presence of marks, they have to be removed with a soft wool cloth. In case of ingrained stains, use only products for leather coloured with aniline. Do not expose leather to direct sunlight. Luxy recommends using ecological products.

CASTORS/FEET: For the enduser security and for different types of floor, different types of castors are available, as per security rules:
- hard castors for sift floors
- rubber castors for hard floors (standard).

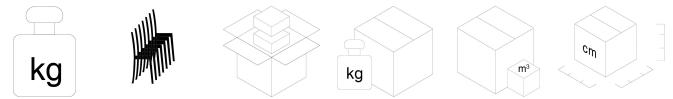
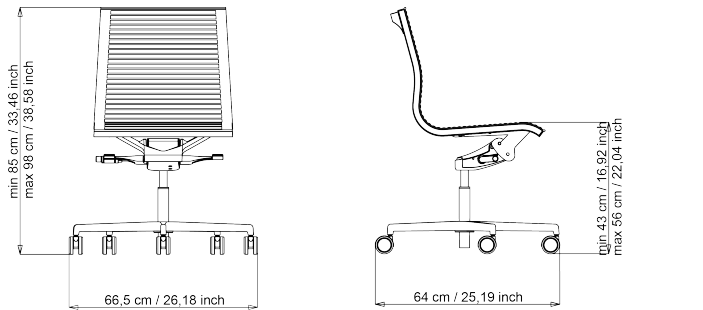
MATERIAL AND RECYCLABILITY



NULITE

Design Luxy R&D

article: 26090
code: 4NL2608



14,5 no 1 16,5 0,2 65x67x47



Patent: 10022644
Warranty: 5 years

DESCRIPTION

EXECUTIVE, MEDIUM BACKREST, WITHOUT ARMRESTS, DECENTRATED MULTIBLOCK MECHANISM, POLISHED ALUMINIUM BASE, WITH Ø 65 mm BLACK WHEELS.

FINISHING: Chromed or painted with white and black epoxy powders with anti-scratch treatment.

BACK: PVC support, fireproof foam.

SEAT: PVC support, fireproof foam.

STRUCTURE: seat/back structure in high resistance steel tube 25x28 mm thickness 1,5 mm, with chrome plated or white epoxy powder finish and anti-scratch treatment.

MECHANISM: tilt multiblock.

BASE: swivel 5 or 4 star base in die-cast aluminum with glossy finish or painted with white or black epoxy powders with anti-scratch treatment.

CASTORS: self-braking rubber (standard) Ø 65 mm chromed, black or white.

UPHOLSTERY: 26000 SERIES: not removable upholstery, padding produced with thermal shaping system in fireproof foam density 65 kg/m³.

MAINTENANCE

CHROME PLATED PARTS: Clean with a soft cloth with some neutral detergent to polish the steel.

PAINTED PARTS: Clean with soft cloth dampened slightly with water and dry with a dry cloth.

PLASTIC PARTS: Use soft cloth dampened slightly with water, without insistence, then dry with a dry cloth.

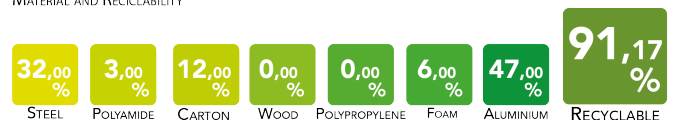
ALUMINIUM PARTS: To clean use only specific products to polish metal parts in order to reduce the natural oxidation due to the hands contact. The aluminum parts tarnish naturally. LUXY recommends not using chemical detergents.

FABRIC: Fabric: pour some drops of neutral detergent on a damp and wringed out cloth, rub gently on the seat and leave it dry. See maintenance instructions on LUXY upholstery book. Luxy recommends using ecological products.

LEATHER: Leather is a natural product. Imperfections give to the material its unmistakable aspect. In presence of marks, they have to be removed with a soft wool cloth. In case of ingrained stains, use only products for leather coloured with aniline. Do not expose leather to direct sunlight. Luxy recommends using ecological products.

CASTORS/FEET: For the enduser security and for different types of floor, different types of castors are available, as per security rules:
- hard castors for sift floors
- rubber castors for hard floors (standard).

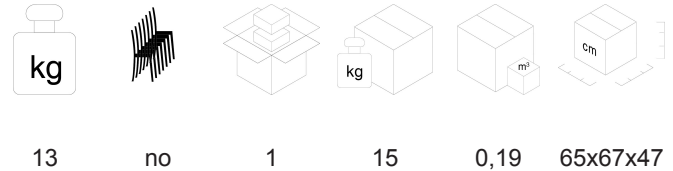
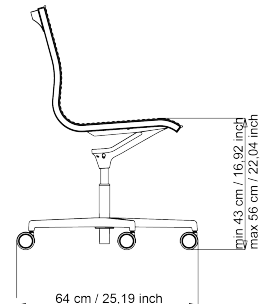
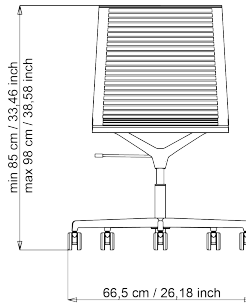
MATERIAL AND RECICLABILITY



NULITE

Design Luxy R&D

article: 26090
code: 4NL2610



Patent: 10022644
Warranty: 5 years

DESCRIPTION

EXECUTIVE, medium backrest, without armrests, gas lift, polished aluminum base, with Ø 65 mm black wheels.

FINISHING: Chromed or painted with white and black epoxy powders with anti-scratch treatment.

BACK: PVC support, fireproof foam.

SEAT: PVC support, fireproof foam.

STRUCTURE: seat/back structure in high resistance steel tube 25x28 mm thickness 1,5 mm, with chrome plated or white epoxy powder finish and anti-scratch treatment.

MECHANISM: gas lift.

BASE: swivel 5 or 4 star base in die-cast aluminum with glossy finish or painted with white or black epoxy powders with anti-scratch treatment.

CASTORS: self-braking rubber (standard) Ø 65 mm chromed, black or white.

UPHOLSTERY: 26000 SERIES: not removable upholstery, padding produced with thermal shaping system in fireproof foam density 65 kg/m³.

MAINTENANCE

CHROME PLATED PARTS: Clean with a soft cloth with some neutral detergent to polish the steel.

PAINTED PARTS: Clean with soft cloth dampened slightly with water and dry with a dry cloth.

PLASTIC PARTS: Use soft cloth dampened slightly with water, without insistence, then dry with a dry cloth.

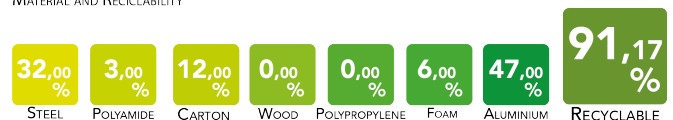
ALUMINIUM PARTS: To clean use only specific products to polish metal parts in order to reduce the natural oxidation due to the hands contact. The aluminum parts tarnish naturally. LUXY recommends not using chemical detergents.

FABRIC: Fabric: pour some drops of neutral detergent on a damp and wringed out cloth, rub gently on the seat and leave it dry. See maintenance instructions on LUXY upholstery book. Luxy recommends using ecological products.

LEATHER: Leather is a natural product. Imperfections give to the material its unmistakable aspect. In presence of marks, they have to be removed with a soft wool cloth. In case of ingrained stains, use only products for leather coloured with aniline. Do not expose leather to direct sunlight. Luxy recommends using ecological products.

CASTORS/FEET: For the enduser security and for different types of floor, different types of castors are available, as per security rules:
- hard castors for sift floors
- rubber castors for hard floors (standard).

MATERIAL AND RECYCLABILITY

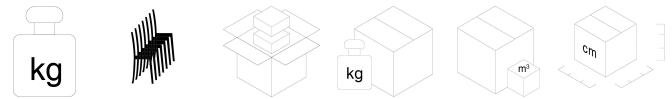
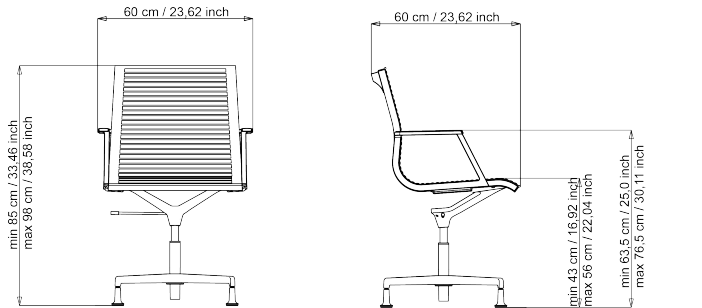


NULITE

Design Luxy R&D

article: 26100B

code: 4NL2612



15,5 no 1 17,5 0,19 65x67x47



Patent: 10022644

Warranty: 5 years

DESCRIPTION

EXECUTIVE, MEDIUM BACKREST, WITH CHROMED ALUMINIUM ARMRESTS, GAS LIFT, 4 STAR POLISHED ALUMINIUM BASE, WITH CHROMED GLIDES.

FINISHING: Chromed or painted with white and black epoxy powders with anti-scratch treatment.

BACK: PVC support, fireproof foam.

SEAT: PVC support, fireproof foam.

STRUCTURE: seat/back structure in high resistance steel tube 25x28 mm thickness 1,5 mm, with chrome plated or white epoxy powder finish and anti-scratch treatment.

ARMRESTS: in die-cast aluminum with chromed or epoxy powder painted finish, white or black anti-scratch epoxy powders; with padded steel insert and lining to match the seat and back.

MECHANISM: gas lift.

BASE: swivel 5 or 4 star base in die-cast aluminum with glossy finish or painted with white or black epoxy powders with anti-scratch treatment.

UPHOLSTERY: 26000 SERIES: not removable upholstery, padding produced with thermal shaping system in fireproof foam density 65 kg/m³.

MAINTENANCE

CHROME PLATED PARTS: Clean with a soft cloth with some neutral detergent to polish the steel.

PAINTED PARTS: Clean with soft cloth dampened slightly with water and dry with a dry cloth.

PLASTIC PARTS: Use soft cloth dampened slightly with water, without insistence, then dry with a dry cloth.

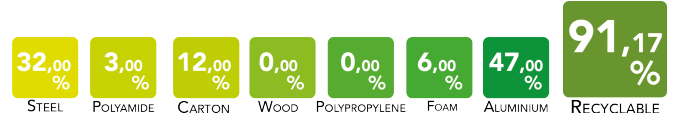
ALUMINIUM PARTS: To clean use only specific products to polish metal parts in order to reduce the natural oxidation due to the hands contact. The aluminum parts tarnish naturally. LUXY recommends not using chemical detergents.

FABRIC: Fabric: pour some drops of neutral detergent on a damp and wringed out cloth, rub gently on the seat and leave it dry. See maintenance instructions on LUXY upholstery book. Luxy recommends using ecological products.

LEATHER: Leather is a natural product. Imperfections give to the material its unmistakable aspect. In presence of marks, they have to be removed with a soft wool cloth. In case of ingrained stains, use only products for leather coloured with aniline. Do not expose leather to direct sunlight. Luxy recommends using ecological products.

CASTORS/FEET: For the enduser security and for different types of floor, different types of castors are available, as per security rules:
- hard castors for sift floors
- rubber castors for hard floors (standard).

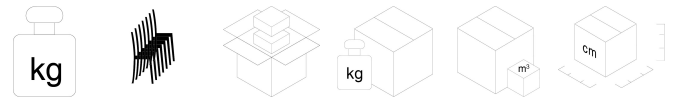
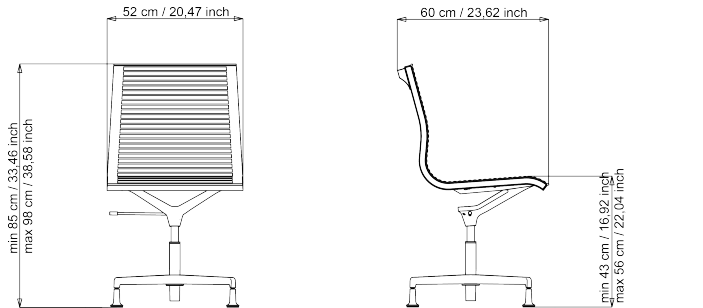
MATERIAL AND RECYCLABILITY



NULITE

Design Luxy R&D

article: 26100
code: 4NL2616



12 no 1 14 0,19 65x67x47



Patent: 10022644
Warranty: 5 years

DESCRIPTION

Executive, medium backrest, without armrests, gas lift, 4 star polished aluminum base, with chromed glides.

FINISHING: Chromed or painted with white and black epoxy powders with anti-scratch treatment.

BACK: PVC support, fireproof foam.

SEAT: PVC support, fireproof foam.

STRUCTURE: seat/back structure in high resistance steel tube 25x28 mm thickness 1,5 mm, with chrome plated or white epoxy powder finish and anti-scratch treatment.

MECHANISM: gas lift.

BASE: swivel 5 or 4 star base in die-cast aluminum with glossy finish or painted with white or black epoxy powders with anti-scratch treatment.

UPHOLSTERY: 26000 SERIES: not removable upholstery, padding produced with thermal shaping system in fireproof foam density 65 kg/m³.

MAINTENANCE

CHROME PLATED PARTS: Clean with a soft cloth with some neutral detergent to polish the steel.

PAINTED PARTS: Clean with soft cloth dampened slightly with water and dry with a dry cloth.

PLASTIC PARTS: Use soft cloth dampened slightly with water, without insistence, then dry with a dry cloth.

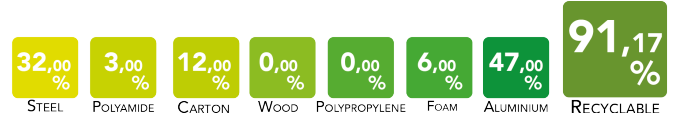
ALUMINIUM PARTS: To clean use only specific products to polish metal parts in order to reduce the natural oxidation due to the hands contact. The aluminum parts tarnish naturally. LUXY recommends not using chemical detergents.

FABRIC: Fabric: pour some drops of neutral detergent on a damp and wringed out cloth, rub gently on the seat and leave it dry. See maintenance instructions on LUXY upholstery book. Luxy recommends using ecological products.

LEATHER: Leather is a natural product. Imperfections give to the material its unmistakable aspect. In presence of marks, they have to be removed with a soft wool cloth. In case of ingrained stains, use only products for leather coloured with aniline. Do not expose leather to direct sunlight. Luxy recommends using ecological products.

CASTORS/FEET: For the enduser security and for different types of floor, different types of castors are available, as per security rules:
- hard castors for sift floors
- rubber castors for hard floors (standard).

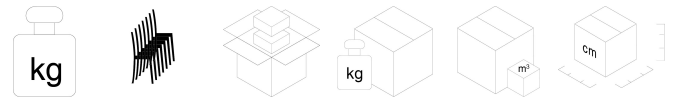
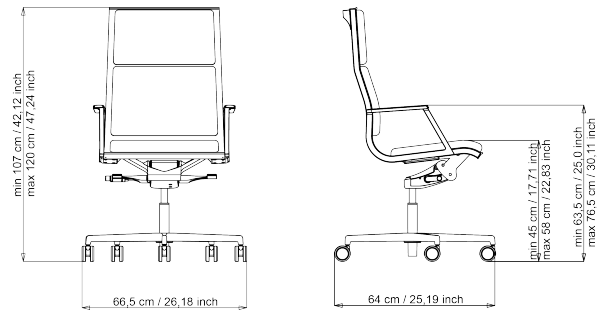
MATERIAL AND RECYCLABILITY



NULITE

Design Luxy R&D

article: 28040
code: 4NL2802



20 no 1 23 0,3 91x70x68



Patent: 10022644
Warranty: 5 years

DESCRIPTION

EXECUTIVE, HIGH BACKREST, WITH CHROMED ALUMINIUM ARMRESTS, DECENTRATED MULTIBLOCK MECHANISM, POLISHED ALUMINIUM BASE, WITH Ø 65 mm BLACK WHEELS.

FINISHING: Chromed or painted with white and black epoxy powders with anti-scratch treatment.

BACK: PVC support, fireproof foam.

SEAT: PVC support, fireproof foam.

STRUCTURE: seat/back structure in high resistance steel tube 25x28 mm thickness 1,5 mm, with chrome plated or white epoxy powder finish and anti-scratch treatment.

ARMRESTS: in die-cast aluminum with chromed or epoxy powder painted finish, white or black anti-scratch epoxy powders; with padded steel insert and lining to match the seat and back.

MECHANISM: tilt multiblock.

BASE: swivel 5 or 4 star base in die-cast aluminum with glossy finish or painted with white or black epoxy powders with anti-scratch treatment.

CASTORS: self-braking rubber (standard) Ø 65 mm chromed, black or white.

UPHOLSTERY: 28000 SERIES: not removable upholstery, in foam density 65 kg/m³, thickness 20 mm.

MAINTENANCE

CHROME PLATED PARTS: Clean with a soft cloth with some neutral detergent to polish the steel.

PAINTED PARTS: Clean with soft cloth dampened slightly with water and dry with a dry cloth.

PLASTIC PARTS: Use soft cloth dampened slightly with water, without insistence, then dry with a dry cloth.

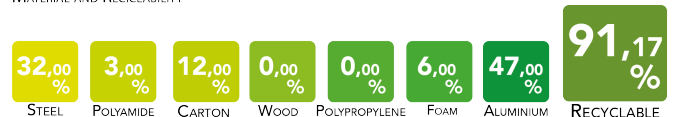
ALUMINIUM PARTS: To clean use only specific products to polish metal parts in order to reduce the natural oxidation due to the hands contact. The aluminum parts tarnish naturally. LUXY recommends not using chemical detergents.

FABRIC: Fabric: pour some drops of neutral detergent on a damp and wringed out cloth, rub gently on the seat and leave it dry. See maintenance instructions on LUXY upholstery book. Luxy recommends using ecological products.

LEATHER: Leather is a natural product. Imperfections give to the material its unmistakable aspect. In presence of marks, they have to be removed with a soft wool cloth. In case of ingrained stains, use only products for leather coloured with aniline. Do not expose leather to direct sunlight. Luxy recommends using ecological products.

CASTORS/FEET: For the enduser security and for different types of floor, different types of castors are available, as per security rules:
- hard castors for sift floors
- rubber castors for hard floors (standard).

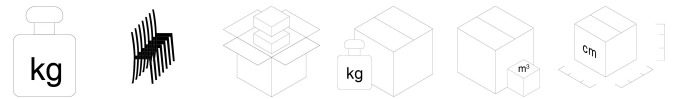
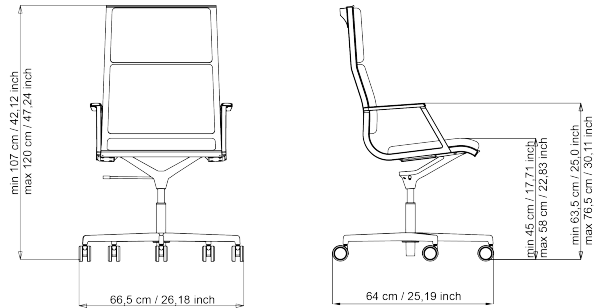
MATERIAL AND RECICLABILITY



NULITE

Design Luxy R&D

article: 28040
code: 4NL2803



18 no 1 21 0,3 91x70x68

UNI ISO 9227
UNI EN 1335

Patent: 10022644
Warranty: 5 years

DESCRIPTION

EXECUTIVE, HIGH BACKREST, WITH CHROMED ALUMINIUM ARMRESTS, GAS LIFT, POLISHED ALUMINIUM BASE, WITH Ø 65 mm BLACK WHEELS.

FINISHING: Chromed or painted with white and black epoxy powders with anti-scratch treatment.

BACK: PVC support, fireproof foam.

SEAT: PVC support, fireproof foam.

STRUCTURE: seat/back structure in high resistance steel tube 25x28 mm thickness 1,5 mm, with chrome plated or white epoxy powder finish and anti-scratch treatment.

ARMRESTS: in die-cast aluminum with chromed or epoxy powder painted finish, white or black anti-scratch epoxy powders; with padded steel insert and lining to match the seat and back.

MECHANISM: gas lift.

BASE: swivel 5 or 4 star base in die-cast aluminum with glossy finish or painted with white or black epoxy powders with anti-scratch treatment.

CASTORS: self-braking rubber (standard) Ø 65 mm chromed, black or white.

UPHOLSTERY: 28000 SERIES: not removable upholstery, in foam density 65 kg/m³, thickness 20 mm.

MAINTENANCE

CHROME PLATED PARTS: Clean with a soft cloth with some neutral detergent to polish the steel.

PAINTED PARTS: Clean with soft cloth dampened slightly with water and dry with a dry cloth.

PLASTIC PARTS: Use soft cloth dampened slightly with water, without insistence, then dry with a dry cloth.

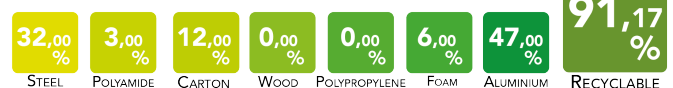
ALUMINIUM PARTS: To clean use only specific products to polish metal parts in order to reduce the natural oxidation due to the hands contact. The aluminum parts tarnish naturally. LUXY recommends not using chemical detergents.

FABRIC: Fabric: pour some drops of neutral detergent on a damp and wringed out cloth, rub gently on the seat and leave it dry. See maintenance instructions on LUXY upholstery book. Luxy recommends using ecological products.

LEATHER: Leather is a natural product. Imperfections give to the material its unmistakable aspect. In presence of marks, they have to be removed with a soft wool cloth. In case of ingrained stains, use only products for leather coloured with aniline. Do not expose leather to direct sunlight. Luxy recommends using ecological products.

CASTORS/FEET: For the enduser security and for different types of floor, different types of castors are available, as per security rules:
- hard castors for soft floors
- rubber castors for hard floors (standard).

MATERIAL AND RECYCLABILITY

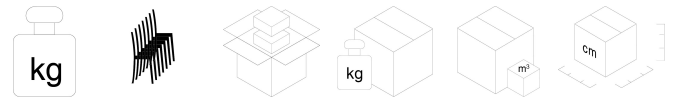
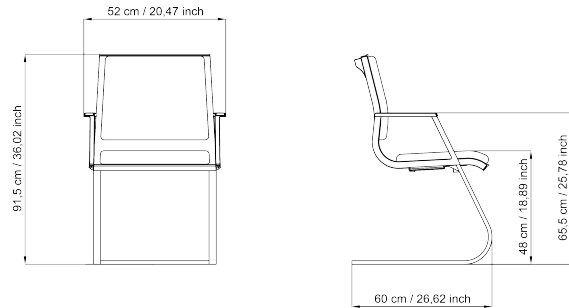


NULITE

Design Luxy R&D

article: 28080B

code: 4NL2820



18,58

no

1

20,5

0,34

90x63
x62,5

UNI ISO
9227

UNI EN
1335

Patent: 10022644

Warranty: 5 years

DESCRIPTION

Visitor chair, medium backrest, with chromed aluminum armrests, chromed structure.

FINISHING: Chromed or painted with white and black epoxy powders with anti-scratch treatment.

BACK: PVC support, fireproof foam.

SEAT: PVC support, fireproof foam.

STRUCTURE: seat/back structure in high resistance steel tube 25x28 mm thickness 1,5 mm, with chrome plated or white epoxy powder finish and anti-scratch treatment.

ARMRESTS: in die-cast aluminum with chromed or epoxy powder painted finish, white or black anti-scratch epoxy powders; with padded steel insert and lining to match the seat and back.

UPHOLSTERY: 28000 SERIES: not removable upholstery, in foam density 65 kg/m³, thickness 20 mm.

MAINTENANCE

CHROME PLATED PARTS: Clean with a soft cloth with some neutral detergent to polish the steel.

PAINTED PARTS: Clean with soft cloth dampened slightly with water and dry with a dry cloth.

PLASTIC PARTS: Use soft cloth dampened slightly with water, without insistence, then dry with a dry cloth.

ALUMINIUM PARTS: To clean use only specific products to polish metal parts in order to reduce the natural oxidation due to the hands contact. The aluminum parts tarnish naturally. LUXY recommends not using chemical detergents.

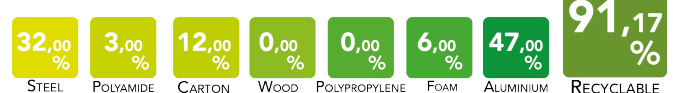
FABRIC: Fabric: pour some drops of neutral detergent on a damp and wringed out cloth, rub gently on the seat and leave it dry. See maintenance instructions on LUXY upholstery book. Luxy recommends using ecological products.

LEATHER: Leather is a natural product. Imperfections give to the material its unmistakable aspect. In presence of marks, they have to be removed with a soft wool cloth. In case of ingrained stains, use only products for leather coloured with aniline. Do not expose leather to direct sunlight. Luxy recommends using ecological products.

CASTORS/FEET: For the enduser security and for different types of floor, different types of castors are available, as per security rules:

- hard castors for sift floors
- rubber castors for hard floors (standard).

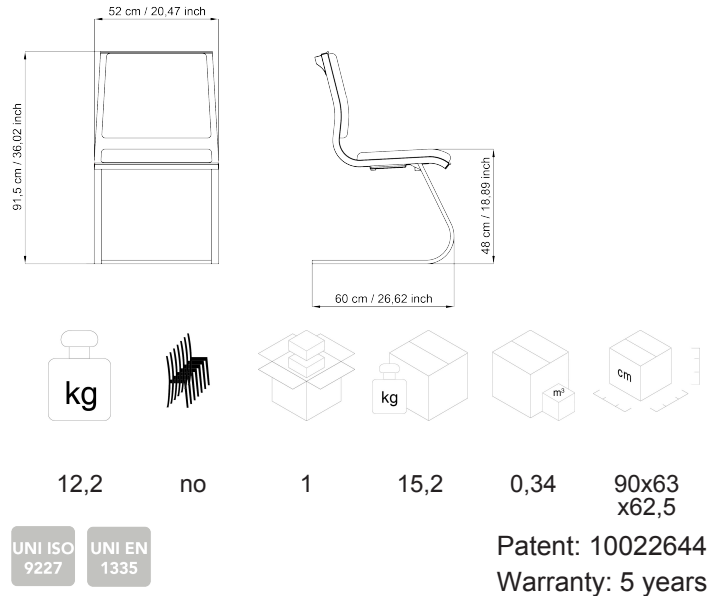
MATERIAL AND RECICLABILITY



NULITE

Design Luxy R&D

article: 28080
code: 4NL2822



DESCRIPTION

Visitor chair, medium backrest, without armrests, chromed structure.

FINISHING: Chromed or painted with white and black epoxy powders with anti-scratch treatment.

BACK: PVC support, fireproof foam.

SEAT: PVC support, fireproof foam.

STRUCTURE: seat/back structure in high resistance steel tube 25x28 mm thickness 1,5 mm, with chrome plated or white epoxy powder finish and anti-scratch treatment.

UPHOLSTERY: 28000 SERIES: not removable upholstery, in foam density 65 kg/m³, thickness 20 mm.

MAINTENANCE

CHROME PLATED PARTS: Clean with a soft cloth with some neutral detergent to polish the steel.

PAINTED PARTS: Clean with soft cloth dampened slightly with water and dry with a dry cloth.

PLASTIC PARTS: Use soft cloth dampened slightly with water, without insistence, then dry with a dry cloth.

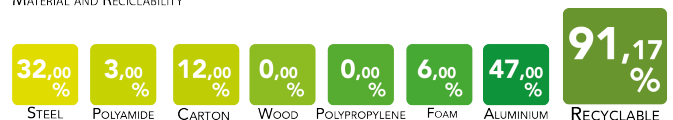
ALUMINIUM PARTS: To clean use only specific products to polish metal parts in order to reduce the natural oxidation due to the hands contact. The aluminum parts tarnish naturally. LUXY recommends not using chemical detergents.

FABRIC: Fabric: pour some drops of neutral detergent on a damp and wringed out cloth, rub gently on the seat and leave it dry. See maintenance instructions on LUXY upholstery book. Luxy recommends using ecological products.

LEATHER: Leather is a natural product. Imperfections give to the material its unmistakable aspect. In presence of marks, they have to be removed with a soft wool cloth. In case of ingrained stains, use only products for leather coloured with aniline. Do not expose leather to direct sunlight. Luxy recommends using ecological products.

CASTORS/FEET: For the enduser security and for different types of floor, different types of castors are available, as per security rules:
- hard castors for sift floors
- rubber castors for hard floors (standard).

MATERIAL AND RECYCLABILITY

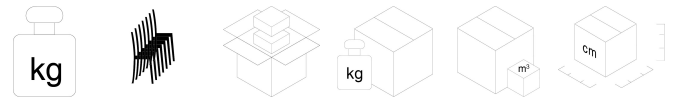
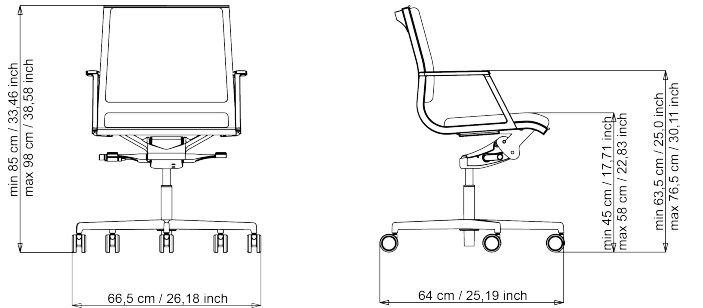


NULITE

Design Luxy R&D

article: 28090B

code: 4NL2804



18,5 no 1 20,5 0,19 65x67x47



Patent: 10022644

Warranty: 5 years

DESCRIPTION

EXECUTIVE, MEDIUM BACKREST, WITH CHROMED ALUMINIUM ARMRESTS, DECENTRATED MULTIBLOCK MECHANISM, POLISHED ALUMINIUM BASE, WITH Ø 65 mm black wheels.

FINISHING: Chromed or painted with white and black epoxy powders with anti-scratch treatment.

BACK: PVC support, fireproof foam.

SEAT: PVC support, fireproof foam.

STRUCTURE: seat/back structure in high resistance steel tube 25x28 mm thickness 1,5 mm, with chrome plated or white epoxy powder finish and anti-scratch treatment.

ARMRESTS: in die-cast aluminum with chromed or epoxy powder painted finish, white or black anti-scratch epoxy powders; with padded steel insert and lining to match the seat and back.

MECHANISM: tilt multiblock.

BASE: swivel 5 or 4 star base in die-cast aluminum with glossy finish or painted with white or black epoxy powders with anti-scratch treatment.

CASTORS: self-braking rubber (standard) Ø 65 mm chromed, black or white.

UPHOLSTERY: 28000 SERIES: not removable upholstery, in foam density 65 kg/m³, thickness 20 mm.

MAINTENANCE

CHROME PLATED PARTS: Clean with a soft cloth with some neutral detergent to polish the steel.

PAINTED PARTS: Clean with soft cloth dampened slightly with water and dry with a dry cloth.

PLASTIC PARTS: Use soft cloth dampened slightly with water, without insistence, then dry with a dry cloth.

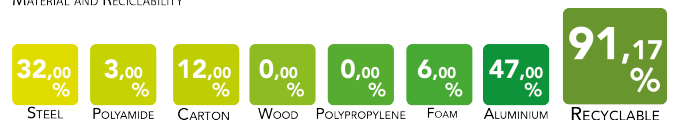
ALUMINIUM PARTS: To clean use only specific products to polish metal parts in order to reduce the natural oxidation due to the hands contact. The aluminum parts tarnish naturally. LUXY recommends not using chemical detergents.

FABRIC: Fabric: pour some drops of neutral detergent on a damp and wringed out cloth, rub gently on the seat and leave it dry. See maintenance instructions on LUXY upholstery book. Luxy recommends using ecological products.

LEATHER: Leather is a natural product. Imperfections give to the material its unmistakable aspect. In presence of marks, they have to be removed with a soft wool cloth. In case of ingrained stains, use only products for leather coloured with aniline. Do not expose leather to direct sunlight. Luxy recommends using ecological products.

CASTORS/FEET: For the enduser security and for different types of floor, different types of castors are available, as per security rules:
- hard castors for sift floors
- rubber castors for hard floors (standard).

MATERIAL AND RECYCLABILITY

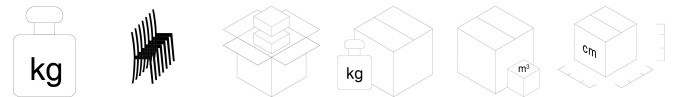
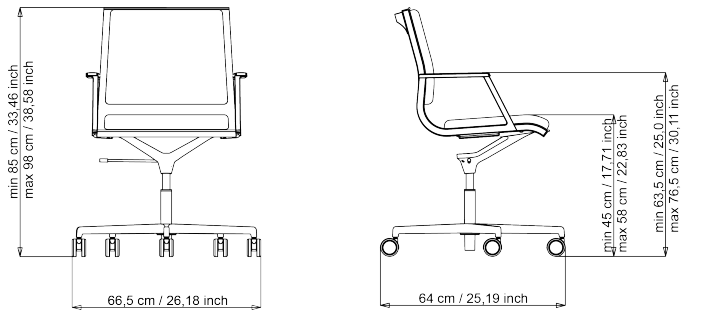


NULITE

Design Luxy R&D

article: 28090B

code: 4NL2806



16,5 no 1 18,5 0,19 65x67x47



Patent: 10022644
Warranty: 5 years

DESCRIPTION

EXECUTIVE, MEDIUM BACKREST, WITH CHROMED ALUMINIUM ARMRESTS, GAS LIFT, POLISHED ALUMINIUM BASE, WITH Ø 65 mm BLACK WHEELS.

FINISHING: Chromed or painted with white and black epoxy powders with anti-scratch treatment.

BACK: PVC support, fireproof foam.

SEAT: PVC support, fireproof foam.

STRUCTURE: seat/back structure in high resistance steel tube 25x28 mm thickness 1,5 mm, with chrome plated or white epoxy powder finish and anti-scratch treatment.

ARMRESTS: in die-cast aluminum with chromed or epoxy powder painted finish, white or black anti-scratch epoxy powders; with padded steel insert and lining to match the seat and back.

MECHANISM: gas lift.

BASE: swivel 5 or 4 star base in die-cast aluminum with glossy finish or painted with white or black epoxy powders with anti-scratch treatment.

CASTORS: self-braking rubber (standard) Ø 65 mm chromed, black or white.

UPHOLSTERY: 28000 SERIES: not removable upholstery, in foam density 65 kg/m³, thickness 20 mm.

MAINTENANCE

CHROME PLATED PARTS: Clean with a soft cloth with some neutral detergent to polish the steel.

PAINTED PARTS: Clean with soft cloth dampened slightly with water and dry with a dry cloth.

PLASTIC PARTS: Use soft cloth dampened slightly with water, without insistence, then dry with a dry cloth.

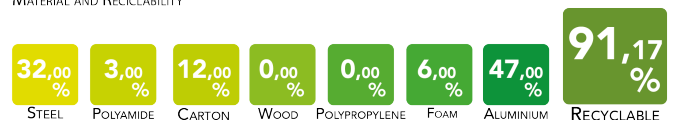
ALUMINIUM PARTS: To clean use only specific products to polish metal parts in order to reduce the natural oxidation due to the hands contact. The aluminum parts tarnish naturally. LUXY recommends not using chemical detergents.

FABRIC: Fabric: pour some drops of neutral detergent on a damp and wringed out cloth, rub gently on the seat and leave it dry. See maintenance instructions on LUXY upholstery book. Luxy recommends using ecological products.

LEATHER: Leather is a natural product. Imperfections give to the material its unmistakable aspect. In presence of marks, they have to be removed with a soft wool cloth. In case of ingrained stains, use only products for leather coloured with aniline. Do not expose leather to direct sunlight. Luxy recommends using ecological products.

CASTORS/FEET: For the enduser security and for different types of floor, different types of castors are available, as per security rules:
 - hard castors for soft floors
 - rubber castors for hard floors (standard).

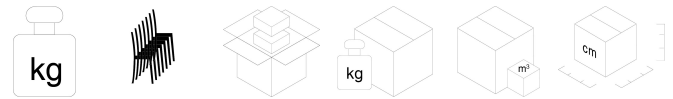
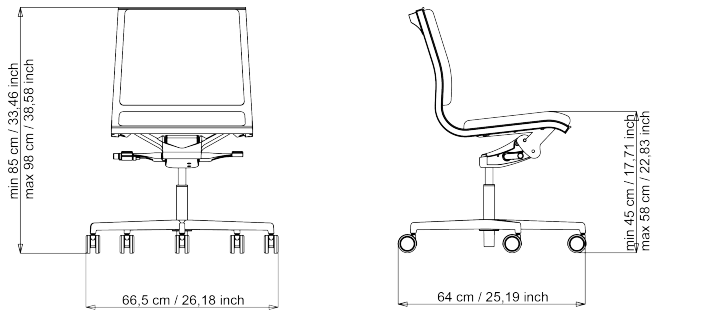
MATERIAL AND RECYCLABILITY



NULITE

Design Luxy R&D

article: 28090
code: 4NL2808



15 no 1 17 0,2 65x67x47



Patent: 10022644
Warranty: 5 years

DESCRIPTION

EXECUTIVE, MEDIUM BACKREST, WITHOUT ARMRESTS, DECENTRATED MULTIBLOCK MECHANISM, POLISHED ALUMINIUM BASE, WITH Ø 65 mm BLACK WHEELS.

FINISHING: Chromed or painted with white and black epoxy powders with anti-scratch treatment.

BACK: PVC support, fireproof foam.

SEAT: PVC support, fireproof foam.

STRUCTURE: seat/back structure in high resistance steel tube 25x28 mm thickness 1,5 mm, with chrome plated or white epoxy powder finish and anti-scratch treatment.

MECHANISM: tilt multiblock.

BASE: swivel 5 or 4 star base in die-cast aluminum with glossy finish or painted with white or black epoxy powders with anti-scratch treatment.

CASTORS: self-braking rubber (standard) Ø 65 mm chromed, black or white.

UPHOLSTERY: 28000 SERIES: not removable upholstery, in foam density 65 kg/m³, thickness 20 mm.

MAINTENANCE

CHROME PLATED PARTS: Clean with a soft cloth with some neutral detergent to polish the steel.

PAINTED PARTS: Clean with soft cloth dampened slightly with water and dry with a dry cloth.

PLASTIC PARTS: Use soft cloth dampened slightly with water, without insistence, then dry with a dry cloth.

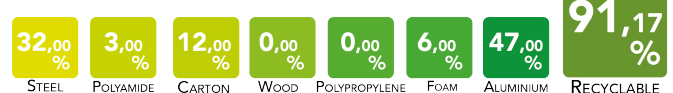
ALUMINIUM PARTS: To clean use only specific products to polish metal parts in order to reduce the natural oxidation due to the hands contact. The aluminum parts tarnish naturally. LUXY recommends not using chemical detergents.

FABRIC: Fabric: pour some drops of neutral detergent on a damp and wringed out cloth, rub gently on the seat and leave it dry. See maintenance instructions on LUXY upholstery book. Luxy recommends using ecological products.

LEATHER: Leather is a natural product. Imperfections give to the material its unmistakable aspect. In presence of marks, they have to be removed with a soft wool cloth. In case of ingrained stains, use only products for leather coloured with aniline. Do not expose leather to direct sunlight. Luxy recommends using ecological products.

CASTORS/FEET: For the enduser security and for different types of floor, different types of castors are available, as per security rules:
- hard castors for sift floors
- rubber castors for hard floors (standard).

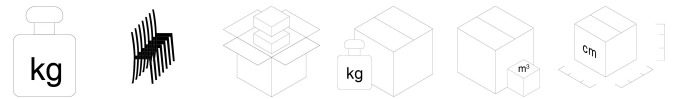
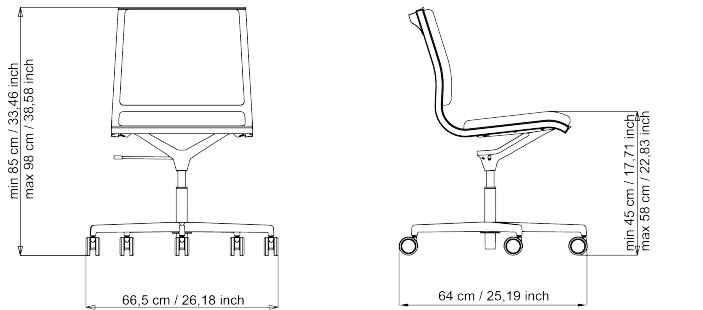
MATERIAL AND RECYCLABILITY



NULITE

Design Luxy R&D

article: 28090
code: 4NL2810



13,5 no 1 15,5 0,2 65x67x47



Patent: 10022644
Warranty: 5 years

DESCRIPTION

EXECUTIVE, medium backrest, without armrests, gas lift, polished aluminum base, with Ø 65 mm black wheels.

FINISHING: Chromed or painted with white and black epoxy powders with anti-scratch treatment.

BACK: PVC support, fireproof foam.

SEAT: PVC support, fireproof foam.

STRUCTURE: seat/back structure in high resistance steel tube 25x28 mm thickness 1,5 mm, with chrome plated or white epoxy powder finish and anti-scratch treatment.

MECHANISM: gas lift.

BASE: swivel 5 or 4 star base in die-cast aluminum with glossy finish or painted with white or black epoxy powders with anti-scratch treatment.

CASTORS: self-braking rubber (standard) Ø 65 mm chromed, black or white.

UPHOLSTERY: 28000 SERIES: not removable upholstery, in foam density 65 kg/m³, thickness 20 mm.

MAINTENANCE

CHROME PLATED PARTS: Clean with a soft cloth with some neutral detergent to polish the steel.

PAINTED PARTS: Clean with soft cloth dampened slightly with water and dry with a dry cloth.

PLASTIC PARTS: Use soft cloth dampened slightly with water, without insistence, then dry with a dry cloth.

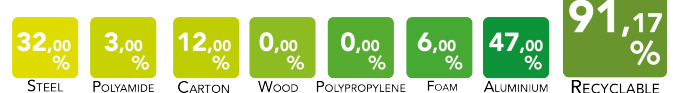
ALUMINIUM PARTS: To clean use only specific products to polish metal parts in order to reduce the natural oxidation due to the hands contact. The aluminum parts tarnish naturally. LUXY recommends not using chemical detergents.

FABRIC: Fabric: pour some drops of neutral detergent on a damp and wringed out cloth, rub gently on the seat and leave it dry. See maintenance instructions on LUXY upholstery book. Luxy recommends using ecological products.

LEATHER: Leather is a natural product. Imperfections give to the material its unmistakable aspect. In presence of marks, they have to be removed with a soft wool cloth. In case of ingrained stains, use only products for leather coloured with aniline. Do not expose leather to direct sunlight. Luxy recommends using ecological products.

CASTORS/FEET: For the enduser security and for different types of floor, different types of castors are available, as per security rules:
- hard castors for sift floors
- rubber castors for hard floors (standard).

MATERIAL AND RECYCLABILITY

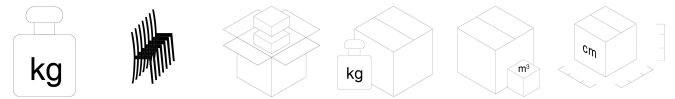
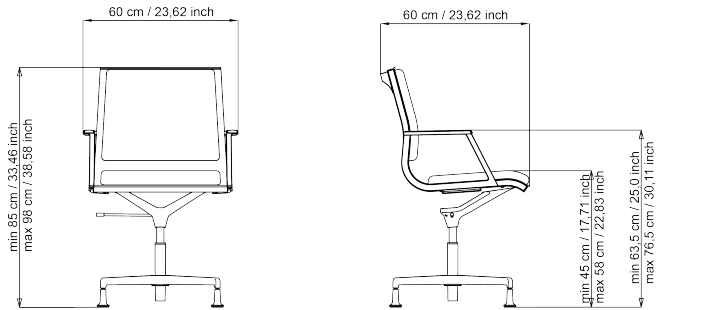


NULITE

Design Luxy R&D

article: 28100B

code: 4NL2812



16 no 1 18 0,26 65x67x47



Patent: 10022644

Warranty: 5 years

DESCRIPTION

EXECUTIVE, MEDIUM BACKREST, WITH CHROMED ALUMINIUM ARMRESTS, GAS LIFT, 4 STAR POLISHED ALUMINIUM BASE, WITH CHROMED GLIDES.

FINISHING: Chromed or painted with white and black epoxy powders with anti-scratch treatment.

BACK: PVC support, fireproof foam.

SEAT: PVC support, fireproof foam.

STRUCTURE: seat/back structure in high resistance steel tube 25x28 mm thickness 1,5 mm, with chrome plated or white epoxy powder finish and anti-scratch treatment.

ARMRESTS: in die-cast aluminum with chromed or epoxy powder painted finish, white or black anti-scratch epoxy powders; with padded steel insert and lining to match the seat and back.

MECHANISM: gas lift.

BASE: swivel 5 or 4 star base in die-cast aluminum with glossy finish or painted with white or black epoxy powders with anti-scratch treatment.

UPHOLSTERY: 28000 SERIES: not removable upholstery, in foam density 65 kg/m³, thickness 20 mm.

MAINTENANCE

CHROME PLATED PARTS: Clean with a soft cloth with some neutral detergent to polish the steel.

PAINTED PARTS: Clean with soft cloth dampened slightly with water and dry with a dry cloth.

PLASTIC PARTS: Use soft cloth dampened slightly with water, without insistence, then dry with a dry cloth.

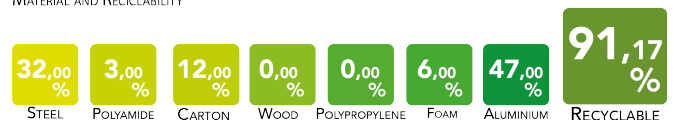
ALUMINIUM PARTS: To clean use only specific products to polish metal parts in order to reduce the natural oxidation due to the hands contact. The aluminum parts tarnish naturally. LUXY recommends not using chemical detergents.

FABRIC: Fabric: pour some drops of neutral detergent on a damp and wringed out cloth, rub gently on the seat and leave it dry. See maintenance instructions on LUXY upholstery book. Luxy recommends using ecological products.

LEATHER: Leather is a natural product. Imperfections give to the material its unmistakable aspect. In presence of marks, they have to be removed with a soft wool cloth. In case of ingrained stains, use only products for leather coloured with aniline. Do not expose leather to direct sunlight. Luxy recommends using ecological products.

CASTORS/FEET: For the enduser security and for different types of floor, different types of castors are available, as per security rules:
- hard castors for sift floors
- rubber castors for hard floors (standard).

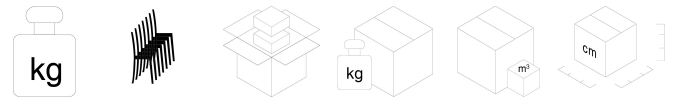
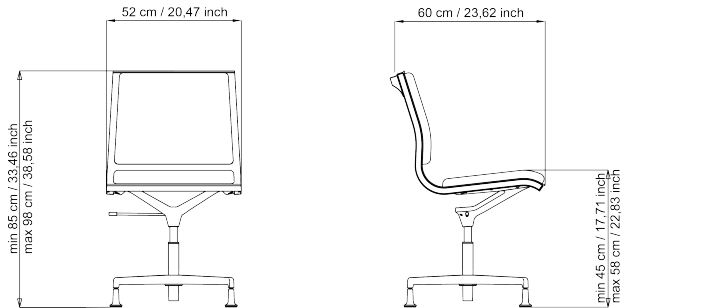
MATERIAL AND RECYCLABILITY



NULITE

Design Luxy R&D

article: 28100
code: 4NL2816



13 no 1 15 0,2 65x67x47

UNI ISO 9227
UNI EN 1335

Patent: 10022644
Warranty: 5 years

DESCRIPTION

EXECUTIVE: medium backrest, without armrests, gas lift, 4 star polished aluminum base, with chromed glides.

FINISHING: Chromed or painted with white and black epoxy powders with anti-scratch treatment.

BACK: PVC support, fireproof foam.

SEAT: PVC support, fireproof foam.

STRUCTURE: seat/back structure in high resistance steel tube 25x28 mm thickness 1,5 mm, with chrome plated or white epoxy powder finish and anti-scratch treatment.

MECHANISM: gas lift.

BASE: swivel 5 or 4 star base in die-cast aluminum with glossy finish or painted with white or black epoxy powders with anti-scratch treatment.

UPHOLSTERY: 28000 SERIES: not removable upholstery, in foam density 65 kg/m³, thickness 20 mm.

MAINTENANCE

CHROME PLATED PARTS: Clean with a soft cloth with some neutral detergent to polish the steel.

PAINTED PARTS: Clean with soft cloth dampened slightly with water and dry with a dry cloth.

PLASTIC PARTS: Use soft cloth dampened slightly with water, without insistence, then dry with a dry cloth.

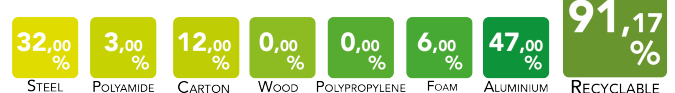
ALUMINIUM PARTS: To clean use only specific products to polish metal parts in order to reduce the natural oxidation due to the hands contact. The aluminum parts tarnish naturally. LUXY recommends not using chemical detergents.

FABRIC: Fabric: pour some drops of neutral detergent on a damp and wringed out cloth, rub gently on the seat and leave it dry. See maintenance instructions on LUXY upholstery book. Luxy recommends using ecological products.

LEATHER: Leather is a natural product. Imperfections give to the material its unmistakable aspect. In presence of marks, they have to be removed with a soft wool cloth. In case of ingrained stains, use only products for leather coloured with aniline. Do not expose leather to direct sunlight. Luxy recommends using ecological products.

CASTORS/FEET: For the enduser security and for different types of floor, different types of castors are available, as per security rules:
- hard castors for sift floors
- rubber castors for hard floors (standard).

MATERIAL AND RECYCLABILITY

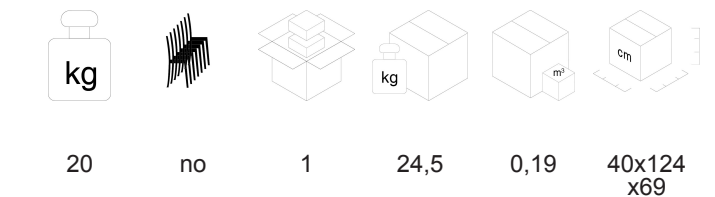
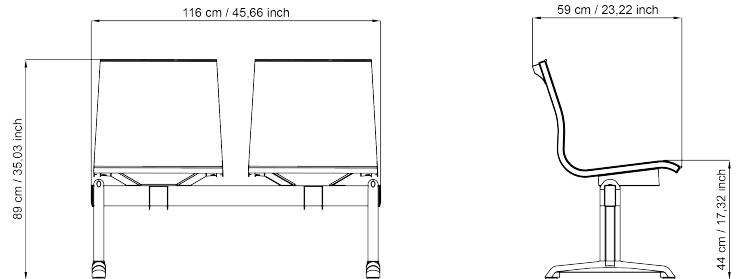


NULITE

Design Luxy R&D

article: TRAVE 24000 2P

code: 4PA2402



UNI ISO 9227

UNI EN 1335

Patent: 10022644
Warranty: 5 years

DESCRIPTION

Bench, 2-seater, without armrests, chromed structure.

FINISHING: Chromed or painted with white and black epoxy powders with anti-scratch treatment.

BACK: mesh.

SEAT: mesh.

STRUCTURE: seat/back structure in high resistance steel tube 25x28 mm thickness 1,5 mm, with chrome plated or white epoxy powder finish and anti-scratch treatment.

UPHOLSTERY: 24000 SERIES: not removable upholstery, self-supporting mesh upholstery flame retardant (Class 1) with leather trim.

MAINTENANCE

CHROME PLATED PARTS: Clean with a soft cloth with some neutral detergent to polish the steel.

PAINTED PARTS: Clean with soft cloth dampened slightly with water and dry with a dry cloth.

PLASTIC PARTS: Use soft cloth dampened slightly with water, without insistence, then dry with a dry cloth.

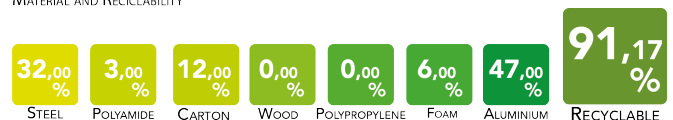
ALUMINIUM PARTS: To clean use only specific products to polish metal parts in order to reduce the natural oxidation due to the hands contact. The aluminum parts tarnish naturally. LUXY recommends not using chemical detergents.

FABRIC: Fabric: pour some drops of neutral detergent on a damp and wringed out cloth, rub gently on the seat and leave it dry. See maintenance instructions on LUXY upholstery book. Luxy recommends using ecological products.

LEATHER: Leather is a natural product. Imperfections give to the material its unmistakable aspect. In presence of marks, they have to be removed with a soft wool cloth. In case of ingrained stains, use only products for leather coloured with aniline. Do not expose leather to direct sunlight. Luxy recommends using ecological products.

CASTORS/FEET: For the enduser security and for different types of floor, different types of castors are available, as per security rules:
- hard castors for sift floors
- rubber castors for hard floors (standard).

MATERIAL AND RECICLABILITY

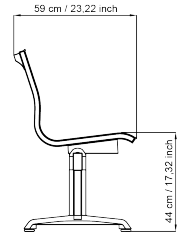
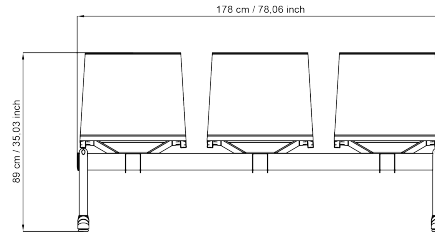


NULITE

Design Luxy R&D

article: TRAVE 24000 3P

code: 4PA2404



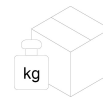
28,5



no



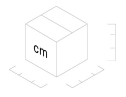
1



35



0,19



40x124
x69



Patent: 10022644
Warranty: 5 years

DESCRIPTION

Bench, 3-seater, without armrests, chromed structure.

FINISHING: Chromed or painted with white and black epoxy powders with anti-scratch treatment.

BACK: mesh.

SEAT: mesh.

STRUCTURE: seat/back structure in high resistance steel tube 25x28 mm thickness 1,5 mm, with chrome plated or white epoxy powder finish and anti-scratch treatment.

UPHOLSTERY: 24000 SERIES: not removable upholstery, self-supporting mesh upholstery flame retardant (Class 1) with leather trim.

MAINTENANCE

CHROME PLATED PARTS: Clean with a soft cloth with some neutral detergent to polish the steel.

PAINTED PARTS: Clean with soft cloth dampened slightly with water and dry with a dry cloth.

PLASTIC PARTS: Use soft cloth dampened slightly with water, without insistence, then dry with a dry cloth.

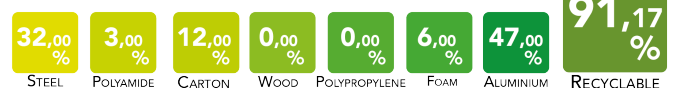
ALUMINIUM PARTS: To clean use only specific products to polish metal parts in order to reduce the natural oxidation due to the hands contact. The aluminum parts tarnish naturally. LUXY recommends not using chemical detergents.

FABRIC: Fabric: pour some drops of neutral detergent on a damp and wringed out cloth, rub gently on the seat and leave it dry. See maintenance instructions on LUXY upholstery book. Luxy recommends using ecological products.

LEATHER: Leather is a natural product. Imperfections give to the material its unmistakable aspect. In presence of marks, they have to be removed with a soft wool cloth. In case of ingrained stains, use only products for leather coloured with aniline. Do not expose leather to direct sunlight. Luxy recommends using ecological products.

CASTORS/FEET: For the enduser security and for different types of floor, different types of castors are available, as per security rules:
- hard castors for sift floors
- rubber castors for hard floors (standard).

MATERIAL AND RECICLABILITY

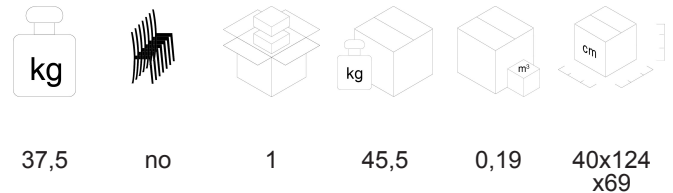
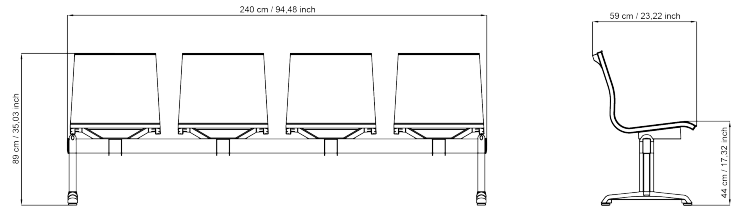


NULITE

Design Luxy R&D

article: TRAVE 24000 4P

code: 4PA2406



Patent: 10022644
Warranty: 5 years

DESCRIPTION

Bench, 4-seater, without armrests, chromed structure.

FINISHING: Chromed or painted with white and black epoxy powders with anti-scratch treatment.

BACK: mesh.

SEAT: mesh.

STRUCTURE: seat/back structure in high resistance steel tube 25x28 mm thickness 1,5 mm, with chrome plated or white epoxy powder finish and anti-scratch treatment.

UPHOLSTERY: 24000 SERIES: not removable upholstery, self-supporting mesh upholstery flame retardant (Class 1) with leather trim.

MAINTENANCE

CHROME PLATED PARTS: Clean with a soft cloth with some neutral detergent to polish the steel.

PAINTED PARTS: Clean with soft cloth dampened slightly with water and dry with a dry cloth.

PLASTIC PARTS: Use soft cloth dampened slightly with water, without insistence, then dry with a dry cloth.

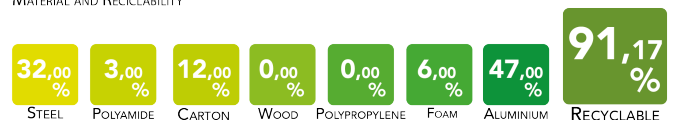
ALUMINIUM PARTS: To clean use only specific products to polish metal parts in order to reduce the natural oxidation due to the hands contact. The aluminum parts tarnish naturally. LUXY recommends not using chemical detergents.

FABRIC: Fabric: pour some drops of neutral detergent on a damp and wringed out cloth, rub gently on the seat and leave it dry. See maintenance instructions on LUXY upholstery book. Luxy recommends using ecological products.

LEATHER: Leather is a natural product. Imperfections give to the material its unmistakable aspect. In presence of marks, they have to be removed with a soft wool cloth. In case of ingrained stains, use only products for leather coloured with aniline. Do not expose leather to direct sunlight. Luxy recommends using ecological products.

CASTORS/FEET: For the enduser security and for different types of floor, different types of castors are available, as per security rules:
- hard castors for sift floors
- rubber castors for hard floors (standard).

MATERIAL AND RECICLABILITY

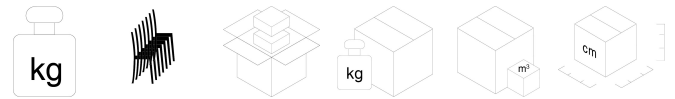
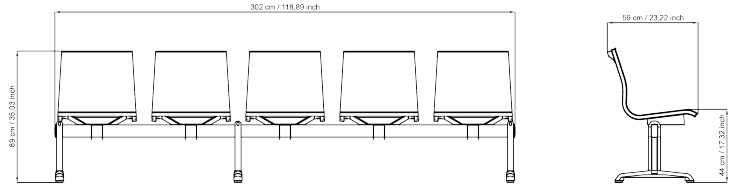


NULITE

Design Luxy R&D

article: TRAVE 24000 5P

code: 4PA2408



47,5 no 1 59 0,19 40x124 x69

UNI ISO 9227 UNI EN 1335

Patent: 10022644
Warranty: 5 years

DESCRIPTION

Bench, 5-seater, without armrests, chromed structure.

FINISHING: Chromed or painted with white and black epoxy powders with anti-scratch treatment.

BACK: mesh.

SEAT: mesh.

STRUCTURE: seat/back structure in high resistance steel tube 25x28 mm thickness 1,5 mm, with chrome plated or white epoxy powder finish and anti-scratch treatment.

UPHOLSTERY: 24000 SERIES: not removable upholstery, self-supporting mesh upholstery flame retardant (Class 1) with leather trim.

MAINTENANCE

CHROME PLATED PARTS: Clean with a soft cloth with some neutral detergent to polish the steel.

PAINTED PARTS: Clean with soft cloth dampened slightly with water and dry with a dry cloth.

PLASTIC PARTS: Use soft cloth dampened slightly with water, without insistence, then dry with a dry cloth.

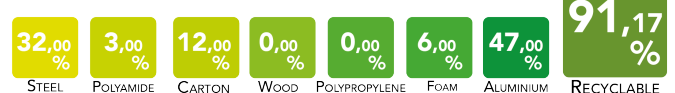
ALUMINIUM PARTS: To clean use only specific products to polish metal parts in order to reduce the natural oxidation due to the hands contact. The aluminum parts tarnish naturally. LUXY recommends not using chemical detergents.

FABRIC: Fabric: pour some drops of neutral detergent on a damp and wringed out cloth, rub gently on the seat and leave it dry. See maintenance instructions on LUXY upholstery book. Luxy recommends using ecological products.

LEATHER: Leather is a natural product. Imperfections give to the material its unmistakable aspect. In presence of marks, they have to be removed with a soft wool cloth. In case of ingrained stains, use only products for leather coloured with aniline. Do not expose leather to direct sunlight. Luxy recommends using ecological products.

CASTORS/FEET: For the enduser security and for different types of floor, different types of castors are available, as per security rules:
- hard castors for sift floors
- rubber castors for hard floors (standard).

MATERIAL AND RECICLABILITY

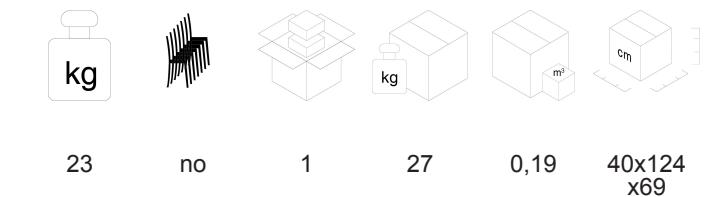
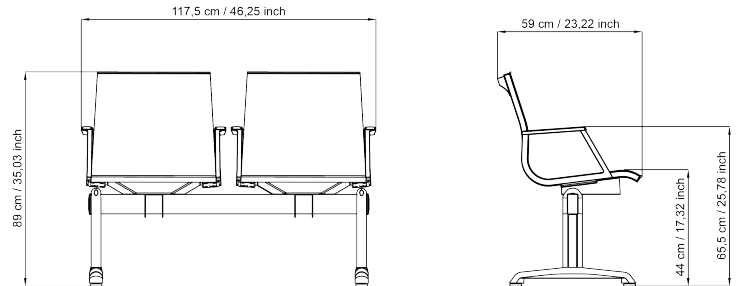


NULITE

Design Luxy R&D

article: TRAVE 24000B 2P

code: 4PA2410



Patent: 10022644
Warranty: 5 years

DESCRIPTION

Bench, 2-seater, with chromed aluminum armrests, chromed structure.

FINISHING: Chromed or painted with white and black epoxy powders with anti-scratch treatment.

BACK: mesh.

SEAT: mesh.

STRUCTURE: seat/back structure in high resistance steel tube 25x28 mm thickness 1,5 mm, with chrome plated or white epoxy powder finish and anti-scratch treatment.

ARMRESTS: in die-cast aluminum with chromed or epoxy powder painted finish, white or black anti-scratch epoxy powders; with padded steel insert and lining to match the seat and back.

UPHOLSTERY: 24000 SERIES: not removable upholstery, self-supporting mesh upholstery flame retardant (Class 1) with leather trim.

MAINTENANCE

CHROME PLATED PARTS: Clean with a soft cloth with some neutral detergent to polish the steel.

PAINTED PARTS: Clean with soft cloth dampened slightly with water and dry with a dry cloth.

PLASTIC PARTS: Use soft cloth dampened slightly with water, without insistence, then dry with a dry cloth.

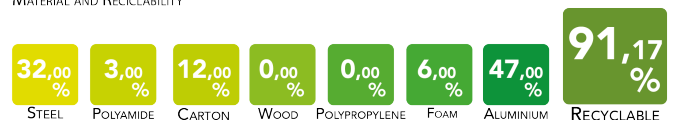
ALUMINIUM PARTS: To clean use only specific products to polish metal parts in order to reduce the natural oxidation due to the hands contact. The aluminum parts tarnish naturally. LUXY recommends not using chemical detergents.

FABRIC: Fabric: pour some drops of neutral detergent on a damp and wringed out cloth, rub gently on the seat and leave it dry. See maintenance instructions on LUXY upholstery book. Luxy recommends using ecological products.

LEATHER: Leather is a natural product. Imperfections give to the material its unmistakable aspect. In presence of marks, they have to be removed with a soft wool cloth. In case of ingrained stains, use only products for leather coloured with aniline. Do not expose leather to direct sunlight. Luxy recommends using ecological products.

CASTORS/FEET: For the enduser security and for different types of floor, different types of castors are available, as per security rules:
- hard castors for sift floors
- rubber castors for hard floors (standard).

MATERIAL AND RECYCLABILITY

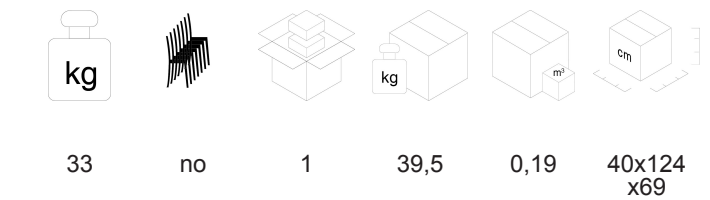
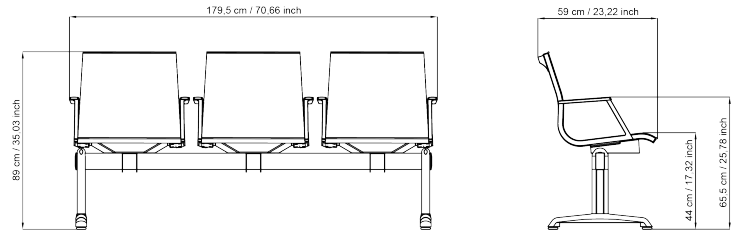


NULITE

Design Luxy R&D

article: TRAVE 24000B 3P

code: 4PA2412



UNI ISO 9227 UNI EN 1335

Patent: 10022644
Warranty: 5 years

DESCRIPTION

Bench, 3-seater, with chromed aluminum armrests, chromed structure.

FINISHING: Chromed or painted with white and black epoxy powders with anti-scratch treatment.

BACK: mesh.

SEAT: mesh.

STRUCTURE: seat/back structure in high resistance steel tube 25x28 mm thickness 1,5 mm, with chrome plated or white epoxy powder finish and anti-scratch treatment.

ARMRESTS: in die-cast aluminum with chromed or epoxy powder painted finish, white or black anti-scratch epoxy powders; with padded steel insert and lining to match the seat and back.

UPHOLSTERY: 24000 SERIES: not removable upholstery, self-supporting mesh upholstery flame retardant (Class 1) with leather trim.

MAINTENANCE

CHROME PLATED PARTS: Clean with a soft cloth with some neutral detergent to polish the steel.

PAINTED PARTS: Clean with soft cloth dampened slightly with water and dry with a dry cloth.

PLASTIC PARTS: Use soft cloth dampened slightly with water, without insistence, then dry with a dry cloth

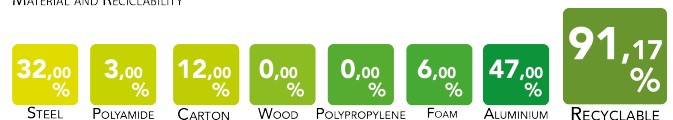
ALUMINIUM PARTS: To clean use only specific products to polish metal parts in order to reduce the natural oxidation due to the hands contact. The aluminum parts tarnish naturally. LUXY recommends not using chemical detergents.

FABRIC: Fabric: pour some drops of neutral detergent on a damp and wringed out cloth, rub gently on the seat and leave it dry. See maintenance instructions on LUXY upholstery book. Luxy recommends using ecological products.

LEATHER: Leather is a natural product. Imperfections give to the material its unmistakable aspect. In presence of marks, they have to be removed with a soft wool cloth. In case of ingrained stains, use only products for leather coloured with aniline. Do not expose leather to direct sunlight. Luxy recommends using ecological products.

CASTORS/FEET: For the enduser security and for different types of floor, different types of castors are available, as per security rules:
- hard castors for sift floors
- rubber castors for hard floors (standard).

MATERIAL AND RECYCLABILITY

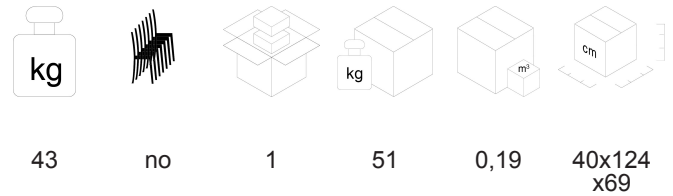
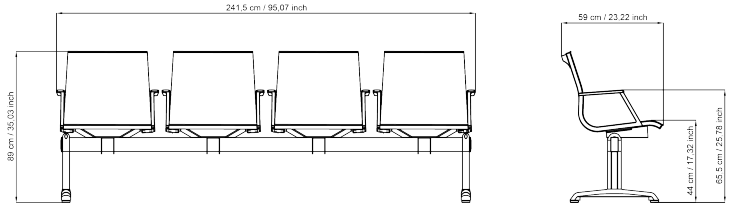


NULITE

Design Luxy R&D

article: TRAVE 24000B 4P

code: 4PA2414



Patent: 10022644
Warranty: 5 years

DESCRIPTION

Bench, 4-seater, with chromed aluminum armrests, chromed structure.

FINISHING: Chromed or painted with white and black epoxy powders with anti-scratch treatment.

BACK: mesh.

SEAT: mesh.

STRUCTURE: seat/back structure in high resistance steel tube 25x28 mm thickness 1,5 mm, with chrome plated or white epoxy powder finish and anti-scratch treatment.

ARMRESTS: in die-cast aluminum with chromed or epoxy powder painted finish, white or black anti-scratch epoxy powders; with padded steel insert and lining to match the seat and back.

UPHOLSTERY: 24000 SERIES: not removable upholstery, self-supporting mesh upholstery flame retardant (Class 1) with leather trim.

MAINTENANCE

CHROME PLATED PARTS: Clean with a soft cloth with some neutral detergent to polish the steel.

PAINTED PARTS: Clean with soft cloth dampened slightly with water and dry with a dry cloth.

PLASTIC PARTS: Use soft cloth dampened slightly with water, without insistence, then dry with a dry cloth.

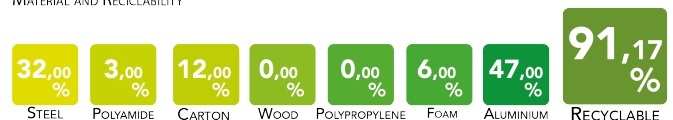
ALUMINIUM PARTS: To clean use only specific products to polish metal parts in order to reduce the natural oxidation due to the hands contact. The aluminum parts tarnish naturally. LUXY recommends not using chemical detergents.

FABRIC: Fabric: pour some drops of neutral detergent on a damp and wringed out cloth, rub gently on the seat and leave it dry. See maintenance instructions on LUXY upholstery book. Luxy recommends using ecological products.

LEATHER: Leather is a natural product. Imperfections give to the material its unmistakable aspect. In presence of marks, they have to be removed with a soft wool cloth. In case of ingrained stains, use only products for leather coloured with aniline. Do not expose leather to direct sunlight. Luxy recommends using ecological products.

CASTORS/FEET: For the enduser security and for different types of floor, different types of castors are available, as per security rules:
- hard castors for sift floors
- rubber castors for hard floors (standard).

MATERIAL AND RECYCLABILITY

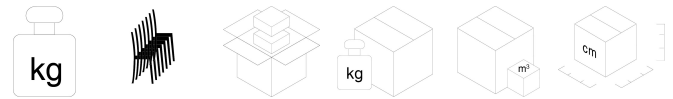
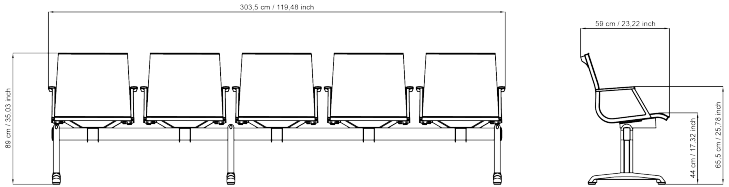


NULITE

Design Luxy R&D

article: TRAVE 2400B 5P

code: 4PA2416



54,5 no 1 66 0,19 40x124 x69

UNI ISO 9227 UNI EN 1335

Patent: 10022644
Warranty: 5 years

DESCRIPTION

Bench, 5-seater, with chromed aluminum armrests, chromed structure.

FINISHING: Chromed or painted with white and black epoxy powders with anti-scratch treatment.

BACK: mesh.

SEAT: mesh.

STRUCTURE: seat/back structure in high resistance steel tube 25x28 mm thickness 1,5 mm, with chrome plated or white epoxy powder finish and anti-scratch treatment.

ARMRESTS: in die-cast aluminum with chromed or epoxy powder painted finish, white or black anti-scratch epoxy powders; with padded steel insert and lining to match the seat and back.

UPHOLSTERY: 24000 SERIES: not removable upholstery, self-supporting mesh upholstery flame retardant (Class 1) with leather trim.

MAINTENANCE

CHROME PLATED PARTS: Clean with a soft cloth with some neutral detergent to polish the steel.

PAINTED PARTS: Clean with soft cloth dampened slightly with water and dry with a dry cloth.

PLASTIC PARTS: Use soft cloth dampened slightly with water, without insistence, then dry with a dry cloth.

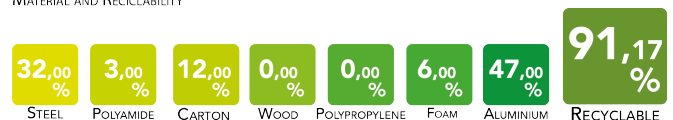
ALUMINIUM PARTS: To clean use only specific products to polish metal parts in order to reduce the natural oxidation due to the hands contact. The aluminum parts tarnish naturally. LUXY recommends not using chemical detergents.

FABRIC: Fabric: pour some drops of neutral detergent on a damp and wringed out cloth, rub gently on the seat and leave it dry. See maintenance instructions on LUXY upholstery book. Luxy recommends using ecological products.

LEATHER: Leather is a natural product. Imperfections give to the material its unmistakable aspect. In presence of marks, they have to be removed with a soft wool cloth. In case of ingrained stains, use only products for leather coloured with aniline. Do not expose leather to direct sunlight. Luxy recommends using ecological products.

CASTORS/FEET: For the enduser security and for different types of floor, different types of castors are available, as per security rules:
- hard castors for sift floors
- rubber castors for hard floors (standard).

MATERIAL AND RECYCLABILITY

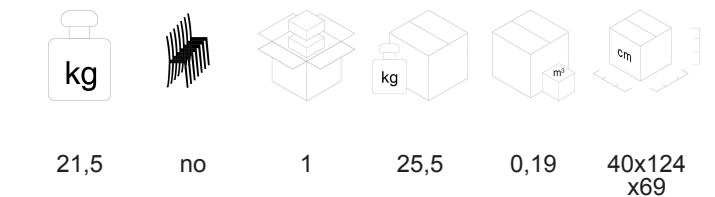
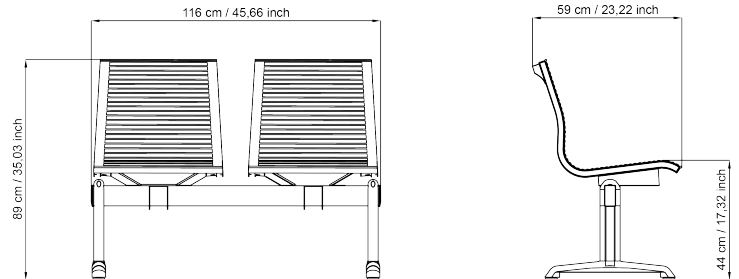


NULITE

Design Luxy R&D

article: TRAVE 26000 2P

code: 4PA2602



Patent: 10022644
Warranty: 5 years

DESCRIPTION

Bench, 2-seater, without armrests, chromed structure.

FINISHING: Chromed or painted with white and black epoxy powders with anti-scratch treatment.

BACK: PVC support, fireproof foam.

SEAT: PVC support, fireproof foam.

STRUCTURE: seat/back structure in high resistance steel tube 25x28 mm thickness 1,5 mm, with chrome plated or white epoxy powder finish and anti-scratch treatment.

UPHOLSTERY: 26000 SERIES: not removable upholstery, padding produced with thermal shaping system in fireproof foam density 65 kg/m³.

MAINTENANCE

CHROME PLATED PARTS: Clean with a soft cloth with some neutral detergent to polish the steel.

PAINTED PARTS: Clean with soft cloth dampened slightly with water and dry with a dry cloth.

PLASTIC PARTS: Use soft cloth dampened slightly with water, without insistence, then dry with a dry cloth.

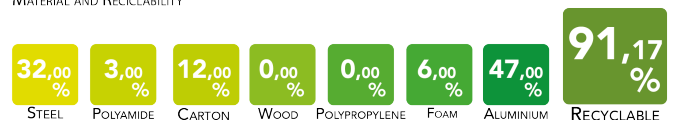
ALUMINIUM PARTS: To clean use only specific products to polish metal parts in order to reduce the natural oxidation due to the hands contact. The aluminum parts tarnish naturally. LUXY recommends not using chemical detergents.

FABRIC: Fabric: pour some drops of neutral detergent on a damp and wringed out cloth, rub gently on the seat and leave it dry. See maintenance instructions on LUXY upholstery book. Luxy recommends using ecological products.

LEATHER: Leather is a natural product. Imperfections give to the material its unmistakable aspect. In presence of marks, they have to be removed with a soft wool cloth. In case of ingrained stains, use only products for leather coloured with aniline. Do not expose leather to direct sunlight. Luxy recommends using ecological products.

CASTORS/FEET: For the enduser security and for different types of floor, different types of castors are available, as per security rules:
- hard castors for sift floors
- rubber castors for hard floors (standard).

MATERIAL AND RECICLABILITY

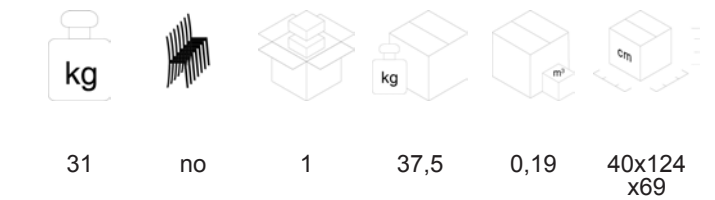
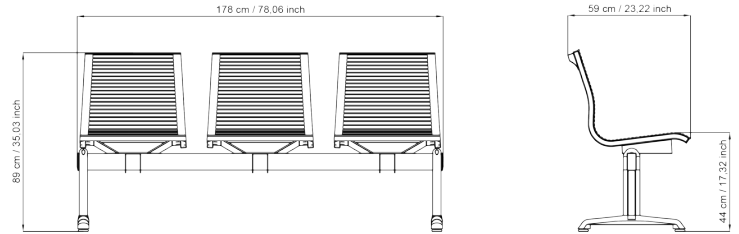


NULITE

Design Luxy R&D

article: TRAVE 26000 3P

code: 4PA2604



Patent: 10022644
Warranty: 5 years

DESCRIPTION

Bench, 3-seater, without armrests, chromed structure.

FINISHING: Chromed or painted with white and black epoxy powders with anti-scratch treatment.

BACK: PVC support, fireproof foam.

SEAT: PVC support, fireproof foam.

STRUCTURE: seat/back structure in high resistance steel tube 25x28 mm thickness 1,5 mm, with chrome plated or white epoxy powder finish and anti-scratch treatment.

UPHOLSTERY: 26000 SERIES: not removable upholstery, padding produced with thermal shaping system in fireproof foam density 65 kg/m³.

MAINTENANCE

CHROME PLATED PARTS: Clean with a soft cloth with some neutral detergent to polish the steel.

PAINTED PARTS: Clean with soft cloth dampened slightly with water and dry with a dry cloth.

PLASTIC PARTS: Use soft cloth dampened slightly with water, without insistence, then dry with a dry cloth.

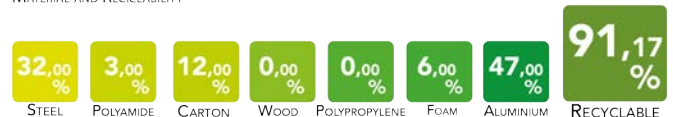
ALUMINIUM PARTS: To clean use only specific products to polish metal parts in order to reduce the natural oxidation due to the hands contact. The aluminum parts tarnish naturally. LUXY recommends not using chemical detergents.

FABRIC: Fabric: pour some drops of neutral detergent on a damp and wringed out cloth, rub gently on the seat and leave it dry. See maintenance instructions on LUXY upholstery book. Luxy recommends using ecological products.

LEATHER: Leather is a natural product. Imperfections give to the material its unmistakable aspect. In presence of marks, they have to be removed with a soft wool cloth. In case of ingrained stains, use only products for leather coloured with aniline. Do not expose leather to direct sunlight. Luxy recommends using ecological products.

CASTORS/FEET: For the enduser security and for different types of floor, different types of castors are available, as per security rules:
- hard castors for sift floors
- rubber castors for hard floors (standard).

MATERIAL AND RECYCLABILITY

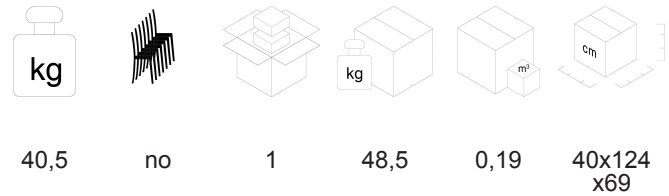
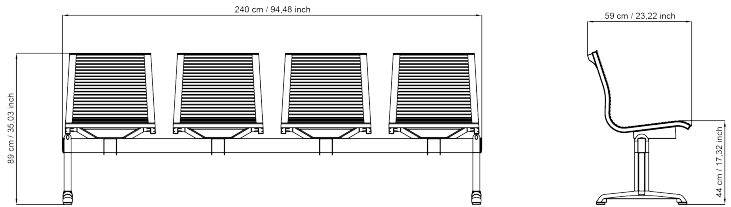


NULITE

Design Luxy R&D

article: TRAVE 26000 4P

code: 4PA2606



Patent: 10022644
Warranty: 5 years

DESCRIPTION

Bench, 4-seater, without armrests, chromed structure.

FINISHING: Chromed or painted with white and black epoxy powders with anti-scratch treatment.

BACK: PVC support, fireproof foam.

SEAT: PVC support, fireproof foam.

STRUCTURE: seat/back structure in high resistance steel tube 25x28 mm thickness 1,5 mm, with chrome plated or white epoxy powder finish and anti-scratch treatment.

UPHOLSTERY: 26000 SERIES: not removable upholstery, padding produced with thermal shaping system in fireproof foam density 65 kg/m³.

MAINTENANCE

CHROME PLATED PARTS: Clean with a soft cloth with some neutral detergent to polish the steel.

PAINTED PARTS: Clean with soft cloth dampened slightly with water and dry with a dry cloth.

PLASTIC PARTS: Use soft cloth dampened slightly with water, without insistence, then dry with a dry cloth.

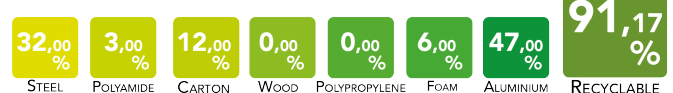
ALUMINIUM PARTS: To clean use only specific products to polish metal parts in order to reduce the natural oxidation due to the hands contact. The aluminum parts tarnish naturally. LUXY recommends not using chemical detergents.

FABRIC: Fabric: pour some drops of neutral detergent on a damp and wringed out cloth, rub gently on the seat and leave it dry. See maintenance instructions on LUXY upholstery book. Luxy recommends using ecological products.

LEATHER: Leather is a natural product. Imperfections give to the material its unmistakable aspect. In presence of marks, they have to be removed with a soft wool cloth. In case of ingrained stains, use only products for leather coloured with aniline. Do not expose leather to direct sunlight. Luxy recommends using ecological products.

CASTORS/FEET: For the enduser security and for different types of floor, different types of castors are available, as per security rules:
- hard castors for sift floors
- rubber castors for hard floors (standard).

MATERIAL AND RECICLABILITY

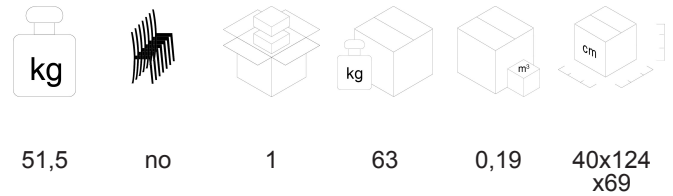
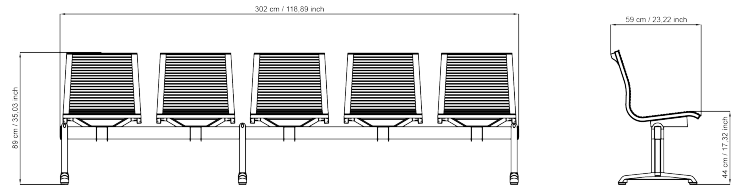


NULITE

Design Luxy R&D

article: TRAVE 26000 5P

code: 4PA2608



UNI ISO 9227

UNI EN 1335

Patent: 10022644
Warranty: 5 years

DESCRIPTION

Bench, 5-seater, without armrests, chromed structure.

FINISHING: Chromed or painted with white and black epoxy powders with anti-scratch treatment.

BACK: PVC support, fireproof foam.

SEAT: PVC support, fireproof foam.

STRUCTURE: seat/back structure in high resistance steel tube 25x28 mm thickness 1,5 mm, with chrome plated or white epoxy powder finish and anti-scratch treatment.

UPHOLSTERY: 26000 SERIES: not removable upholstery, padding produced with thermal shaping system in fireproof foam density 65 kg/m³.

MAINTENANCE

CHROME PLATED PARTS: Clean with a soft cloth with some neutral detergent to polish the steel.

PAINTED PARTS: Clean with soft cloth dampened slightly with water and dry with a dry cloth.

PLASTIC PARTS: Use soft cloth dampened slightly with water, without insistence, then dry with a dry cloth.

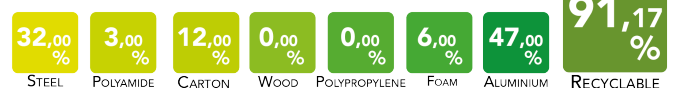
ALUMINIUM PARTS: To clean use only specific products to polish metal parts in order to reduce the natural oxidation due to the hands contact. The aluminum parts tarnish naturally. LUXY recommends not using chemical detergents.

FABRIC: Fabric: pour some drops of neutral detergent on a damp and wringed out cloth, rub gently on the seat and leave it dry. See maintenance instructions on LUXY upholstery book. Luxy recommends using ecological products.

LEATHER: Leather is a natural product. Imperfections give to the material its unmistakable aspect. In presence of marks, they have to be removed with a soft wool cloth. In case of ingrained stains, use only products for leather coloured with aniline. Do not expose leather to direct sunlight. Luxy recommends using ecological products.

CASTORS/FEET: For the enduser security and for different types of floor, different types of castors are available, as per security rules:
- hard castors for sift floors
- rubber castors for hard floors (standard).

MATERIAL AND RECICLABILITY

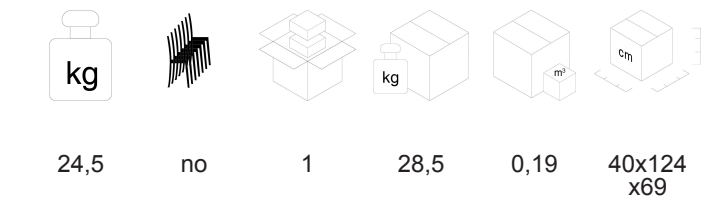
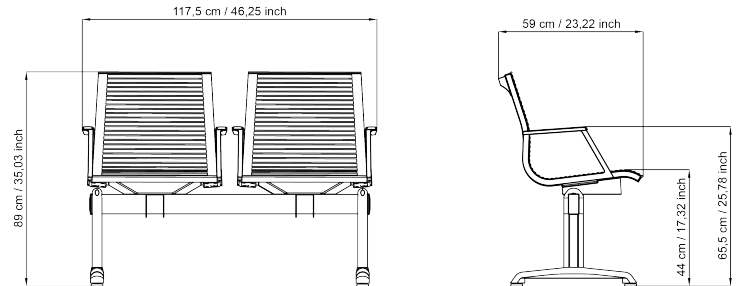


NULITE

Design Luxy R&D

article: TRAVE 26000B 2P

code: 4PA2610



Patent: 10022644
Warranty: 5 years

DESCRIPTION

Bench, 2-seater, with chromed aluminum armrests, chromed structure.

FINISHING: Chromed or painted with white and black epoxy powders with anti-scratch treatment.

BACK: PVC support, fireproof foam.

SEAT: PVC support, fireproof foam.

STRUCTURE: seat/back structure in high resistance steel tube 25x28 mm thickness 1,5 mm, with chrome plated or white epoxy powder finish and anti-scratch treatment.

ARMRESTS: in die-cast aluminum with chromed or epoxy powder painted finish, white or black anti-scratch epoxy powders; with padded steel insert and lining to match the seat and back.

UPHOLSTERY: 26000 SERIES: not removable upholstery, padding produced with thermal shaping system in fireproof foam density 65 kg/m³.

MAINTENANCE

CHROME PLATED PARTS: Clean with a soft cloth with some neutral detergent to polish the steel.

PAINTED PARTS: Clean with soft cloth dampened slightly with water and dry with a dry cloth.

PLASTIC PARTS: Use soft cloth dampened slightly with water, without insistence, then dry with a dry cloth.

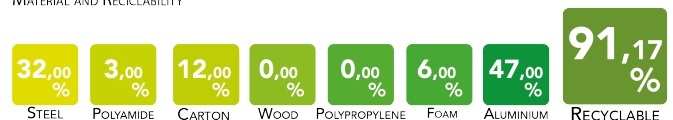
ALUMINIUM PARTS: To clean use only specific products to polish metal parts in order to reduce the natural oxidation due to the hands contact. The aluminum parts tarnish naturally. LUXY recommends not using chemical detergents.

FABRIC: Fabric: pour some drops of neutral detergent on a damp and wringed out cloth, rub gently on the seat and leave it dry. See maintenance instructions on LUXY upholstery book. Luxy recommends using ecological products.

LEATHER: Leather is a natural product. Imperfections give to the material its unmistakable aspect. In presence of marks, they have to be removed with a soft wool cloth. In case of ingrained stains, use only products for leather coloured with aniline. Do not expose leather to direct sunlight. Luxy recommends using ecological products.

CASTORS/FEET: For the enduser security and for different types of floor, different types of castors are available, as per security rules:
- hard castors for sift floors
- rubber castors for hard floors (standard).

MATERIAL AND RECYCLABILITY

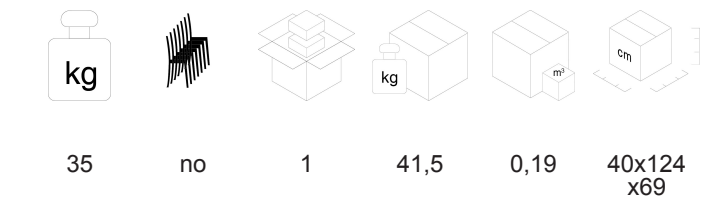
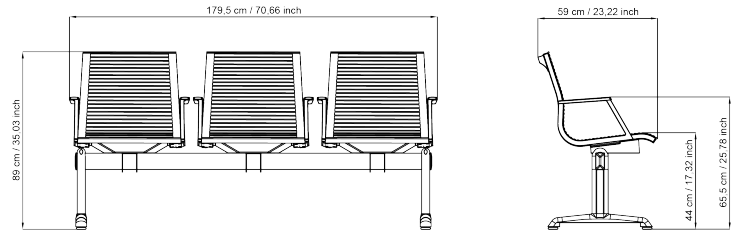


NULITE

Design Luxy R&D

article: TRAVE 26000B 3P

code: 4PA2612



UNI ISO 9227 UNI EN 1335

Patent: 10022644
Warranty: 5 years

DESCRIPTION

Bench, 3-seater, with chromed aluminum armrests, chromed structure.

FINISHING: Chromed or painted with white and black epoxy powders with anti-scratch treatment.

BACK: PVC support, fireproof foam.

SEAT: PVC support, fireproof foam.

STRUCTURE: seat/back structure in high resistance steel tube 25x28 mm thickness 1,5 mm, with chrome plated or white epoxy powder finish and anti-scratch treatment.

ARMRESTS: in die-cast aluminum with chromed or epoxy powder painted finish, white or black anti-scratch epoxy powders; with padded steel insert and lining to match the seat and back.

UPHOLSTERY: 26000 SERIES: not removable upholstery, padding produced with thermal shaping system in fireproof foam density 65 kg/m³.

MAINTENANCE

CHROME PLATED PARTS: Clean with a soft cloth with some neutral detergent to polish the steel.

PAINTED PARTS: Clean with soft cloth dampened slightly with water and dry with a dry cloth.

PLASTIC PARTS: Use soft cloth dampened slightly with water, without insistence, then dry with a dry cloth.

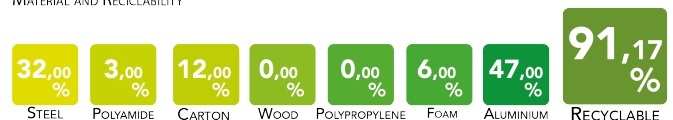
ALUMINIUM PARTS: To clean use only specific products to polish metal parts in order to reduce the natural oxidation due to the hands contact. The aluminum parts tarnish naturally. LUXY recommends not using chemical detergents.

FABRIC: Fabric: pour some drops of neutral detergent on a damp and wringed out cloth, rub gently on the seat and leave it dry. See maintenance instructions on LUXY upholstery book. Luxy recommends using ecological products.

LEATHER: Leather is a natural product. Imperfections give to the material its unmistakable aspect. In presence of marks, they have to be removed with a soft wool cloth. In case of ingrained stains, use only products for leather coloured with aniline. Do not expose leather to direct sunlight. Luxy recommends using ecological products.

CASTORS/FEET: For the enduser security and for different types of floor, different types of castors are available, as per security rules:
- hard castors for sift floors
- rubber castors for hard floors (standard).

MATERIAL AND RECYCLABILITY

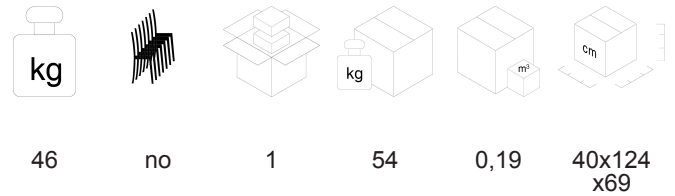
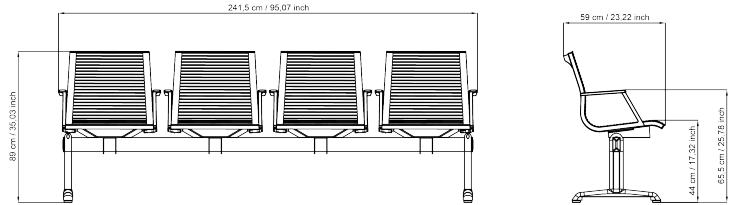


NULITE

Design Luxy R&D

article: TRAVE 26000B 4P

code: 4PA2614



UNI ISO 9227

UNI EN 1335

Patent: 10022644
Warranty: 5 years

DESCRIPTION

Bench, 4-seater, with chromed aluminum armrests, chromed structure.

FINISHING: Chromed or painted with white and black epoxy powders with anti-scratch treatment.

BACK: PVC support, fireproof foam.

SEAT: PVC support, fireproof foam.

STRUCTURE: seat/back structure in high resistance steel tube 25x28 mm thickness 1,5 mm, with chrome plated or white epoxy powder finish and anti-scratch treatment.

ARMRESTS: in die-cast aluminum with chromed or epoxy powder painted finish, white or black anti-scratch epoxy powders; with padded steel insert and lining to match the seat and back.

UPHOLSTERY: 26000 SERIES: not removable upholstery, padding produced with thermal shaping system in fireproof foam density 65 kg/m³.

MAINTENANCE

CHROME PLATED PARTS: Clean with a soft cloth with some neutral detergent to polish the steel.

PAINTED PARTS: Clean with soft cloth dampened slightly with water and dry with a dry cloth.

PLASTIC PARTS: Use soft cloth dampened slightly with water, without insistence, then dry with a dry cloth.

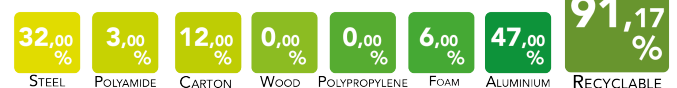
ALUMINIUM PARTS: To clean use only specific products to polish metal parts in order to reduce the natural oxidation due to the hands contact. The aluminum parts tarnish naturally. LUXY recommends not using chemical detergents.

FABRIC: Fabric: pour some drops of neutral detergent on a damp and wringed out cloth, rub gently on the seat and leave it dry. See maintenance instructions on LUXY upholstery book. Luxy recommends using ecological products.

LEATHER: Leather is a natural product. Imperfections give to the material its unmistakable aspect. In presence of marks, they have to be removed with a soft wool cloth. In case of ingrained stains, use only products for leather coloured with aniline. Do not expose leather to direct sunlight. Luxy recommends using ecological products.

CASTORS/FEET: For the enduser security and for different types of floor, different types of castors are available, as per security rules:
- hard castors for sift floors
- rubber castors for hard floors (standard).

MATERIAL AND RECYCLABILITY

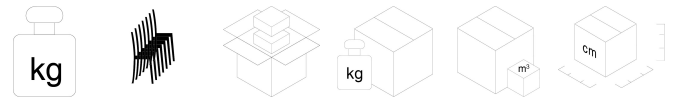
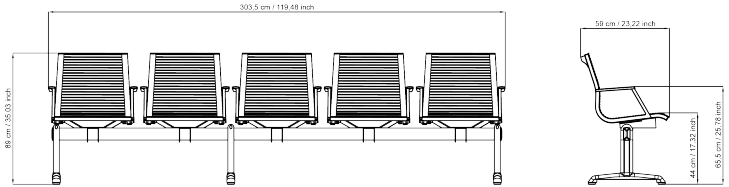


NULITE

Design Luxy R&D

article: TRAVE 26000B 5P

code: 4PA2616



58,5 no 1 70 0,19 40x124 x69

UNI ISO 9227 UNI EN 1335

Patent: 10022644
Warranty: 5 years

DESCRIPTION

Bench, 5-seater, with chromed aluminum armrests, chromed structure.

FINISHING: Chromed or painted with white and black epoxy powders with anti-scratch treatment.

BACK: PVC support, fireproof foam.

SEAT: PVC support, fireproof foam.

STRUCTURE: seat/back structure in high resistance steel tube 25x28 mm thickness 1,5 mm, with chrome plated or white epoxy powder finish and anti-scratch treatment.

ARMRESTS: in die-cast aluminum with chromed or epoxy powder painted finish, white or black anti-scratch epoxy powders; with padded steel insert and lining to match the seat and back.

UPHOLSTERY: 26000 SERIES: not removable upholstery, padding produced with thermal shaping system in fireproof foam density 65 kg/m³.

MAINTENANCE

CHROME PLATED PARTS: Clean with a soft cloth with some neutral detergent to polish the steel.

PAINTED PARTS: Clean with soft cloth dampened slightly with water and dry with a dry cloth.

PLASTIC PARTS: Use soft cloth dampened slightly with water, without insistence, then dry with a dry cloth.

ALUMINIUM PARTS: To clean use only specific products to polish metal parts in order to reduce the natural oxidation due to the hands contact. The aluminum parts tarnish naturally. LUXY recommends not using chemical detergents.

FABRIC: Fabric: pour some drops of neutral detergent on a damp and wringed out cloth, rub gently on the seat and leave it dry. See maintenance instructions on LUXY upholstery book. Luxy recommends using ecological products.

LEATHER: Leather is a natural product. Imperfections give to the material its unmistakable aspect. In presence of marks, they have to be removed with a soft wool cloth. In case of ingrained stains, use only products for leather coloured with aniline. Do not expose leather to direct sunlight. Luxy recommends using ecological products.

CASTORS/FEET: For the enduser security and for different types of floor, different types of castors are available, as per security rules:
- hard castors for sift floors
- rubber castors for hard floors (standard).

MATERIAL AND RECYCLABILITY

