

Wilkhahn

IN. 184 range.



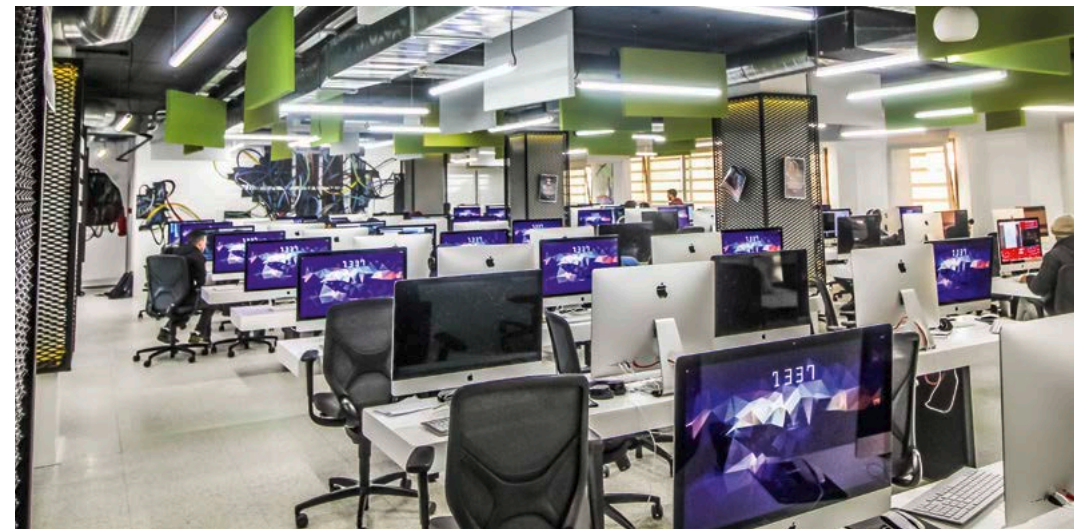
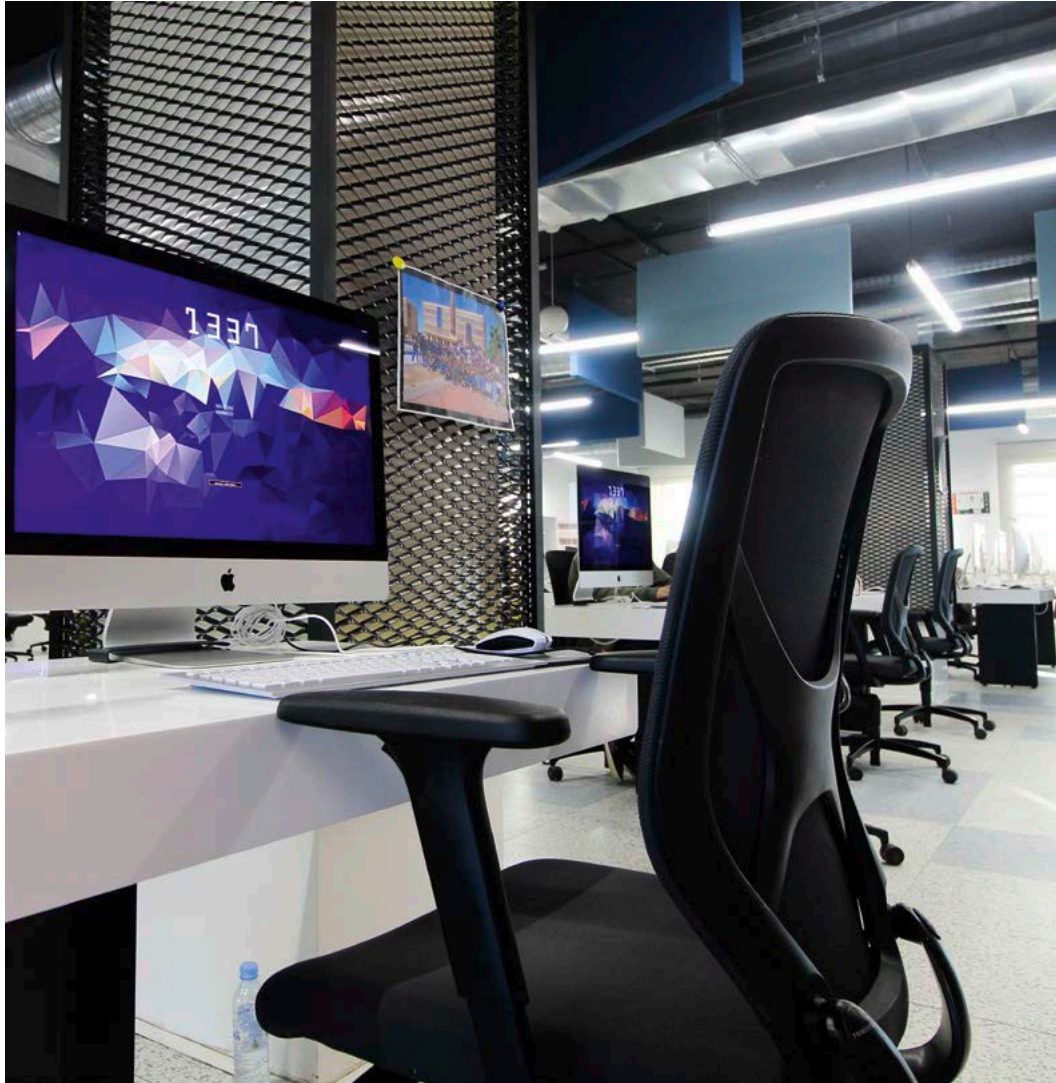


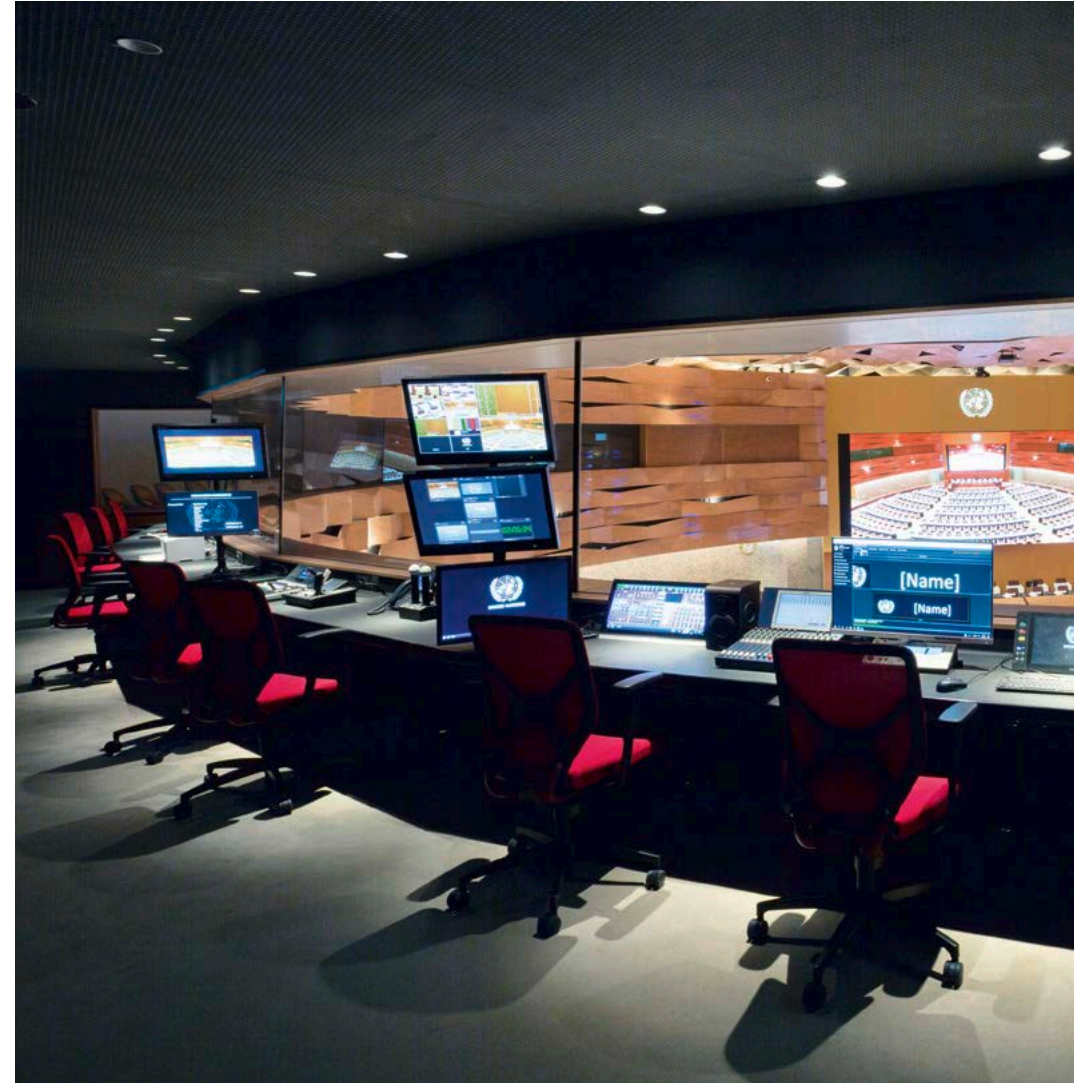
IN.

The IN office chair is considered the most dynamic and at the same time most comfortable office chair. It stimulates body and mind and is relaxing at the same time. The two swivel arms move independently of one another and interact perfectly with the black or white seat and back made of state-of-the-art two-component technology and the 3D Formstrick cover. Body and chair merge to become a unit that's flexible in all directions and can tilt forwards. Counter pressure can be adjusted to users weighing from 45 to 140 kilos. And of course all the practical adjustment options for armrests, lumbar support and seat depth are available too.

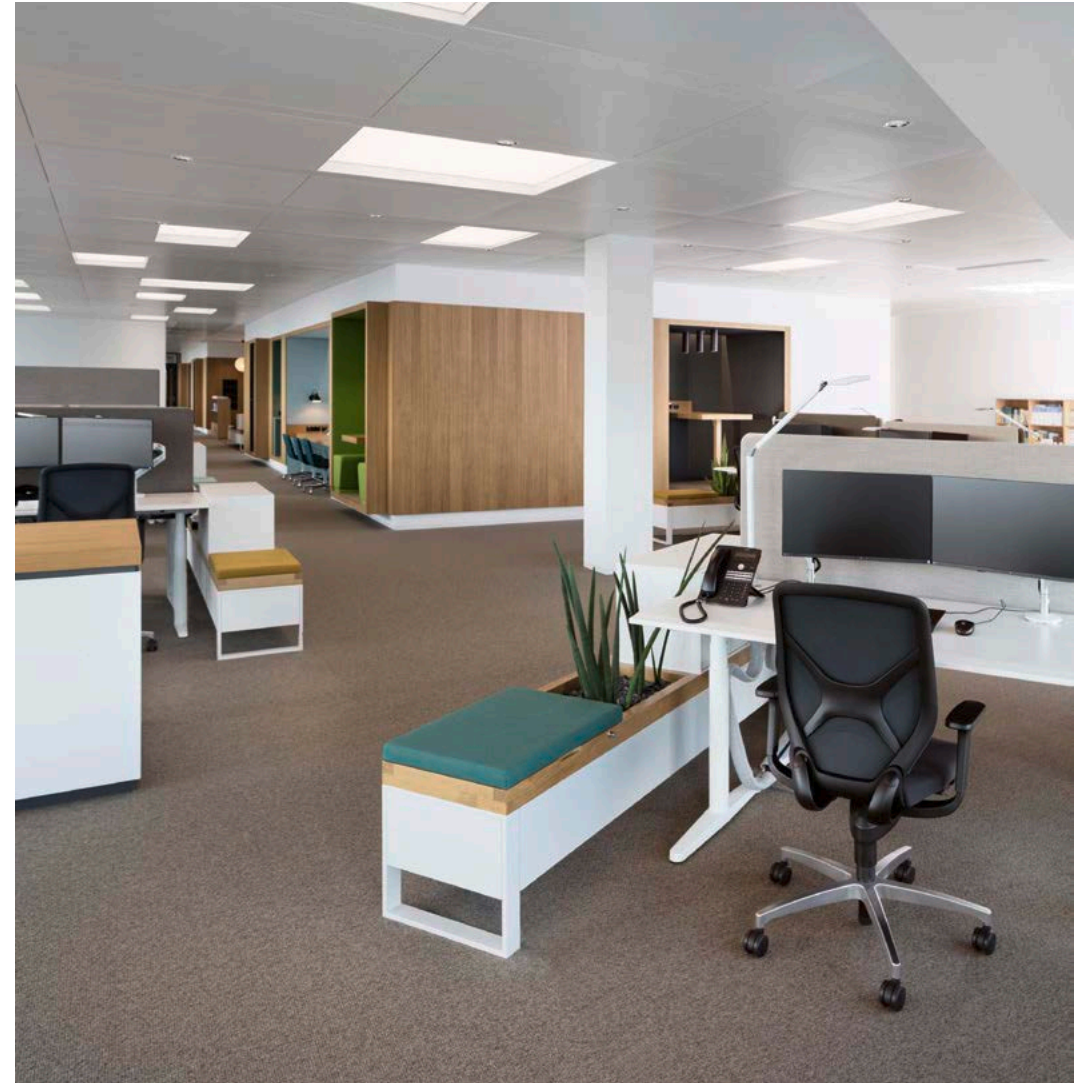
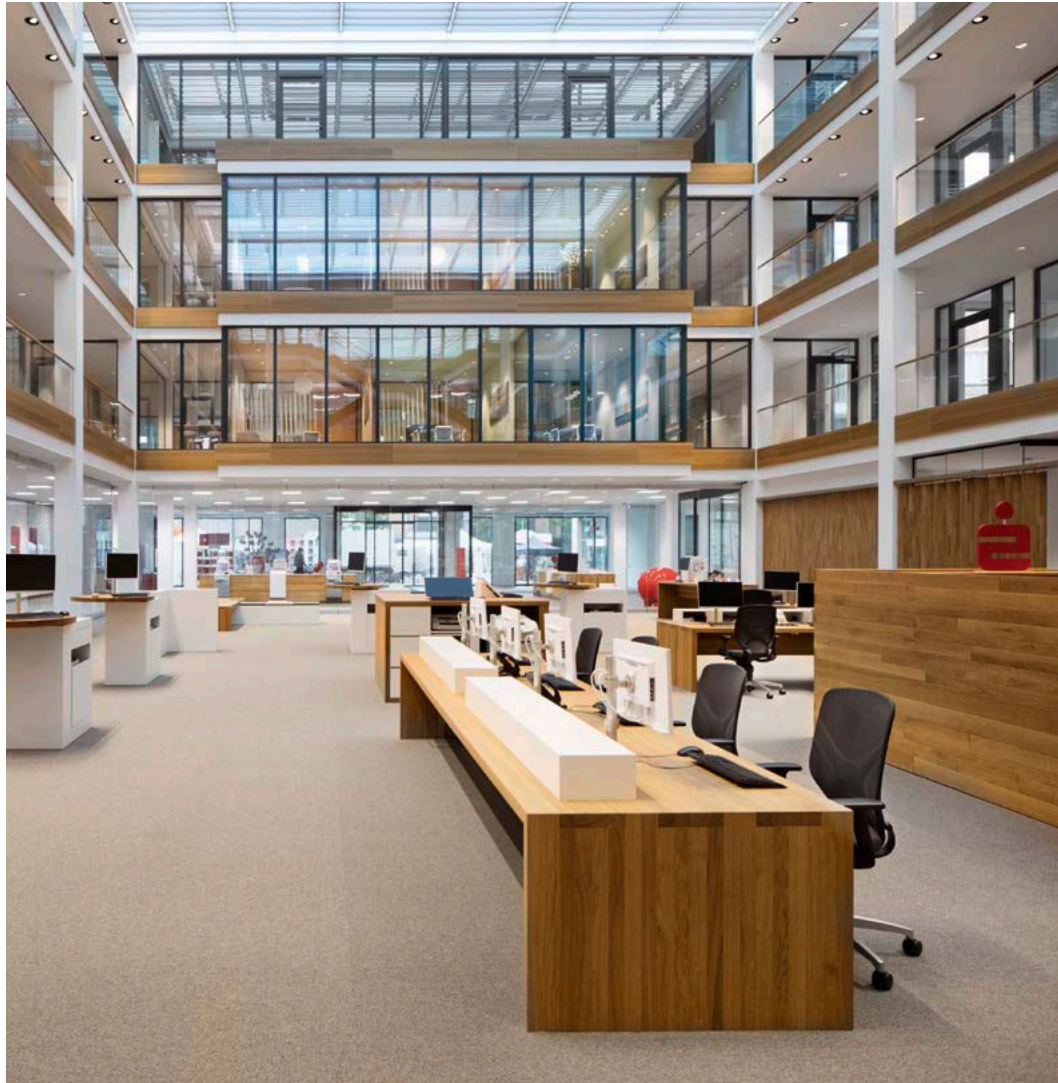
Design: wiege

Model 184/7, photo: Thomas Bach

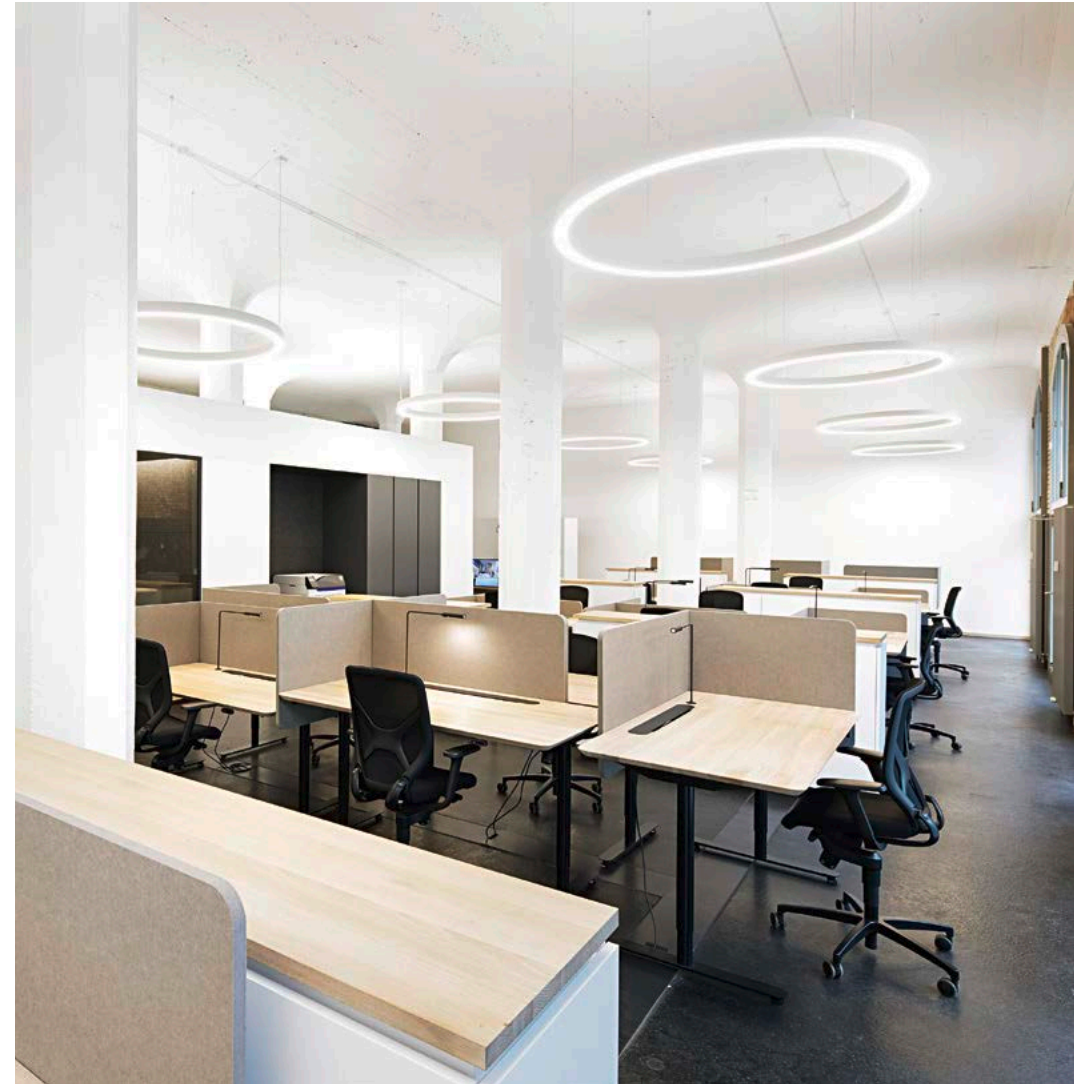




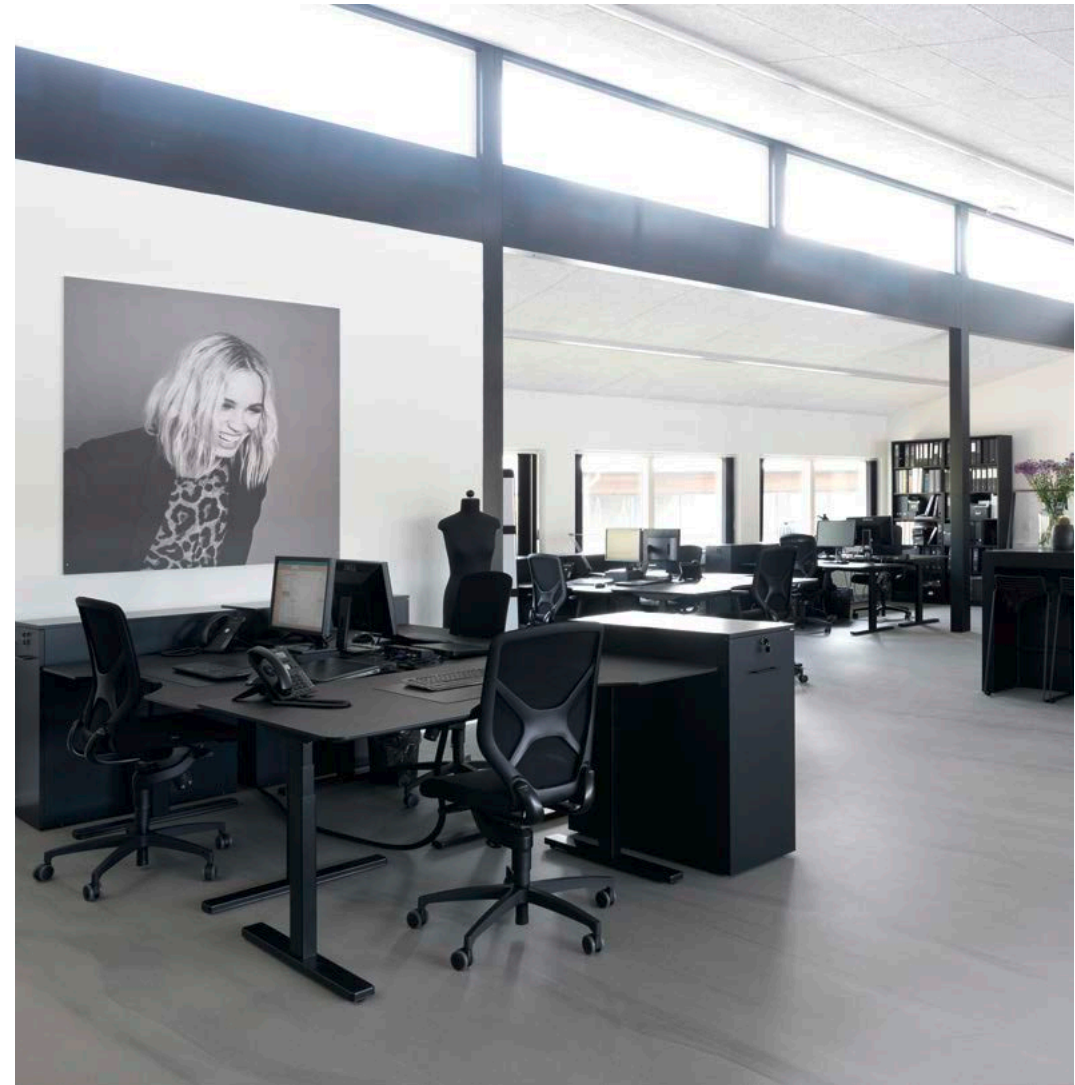
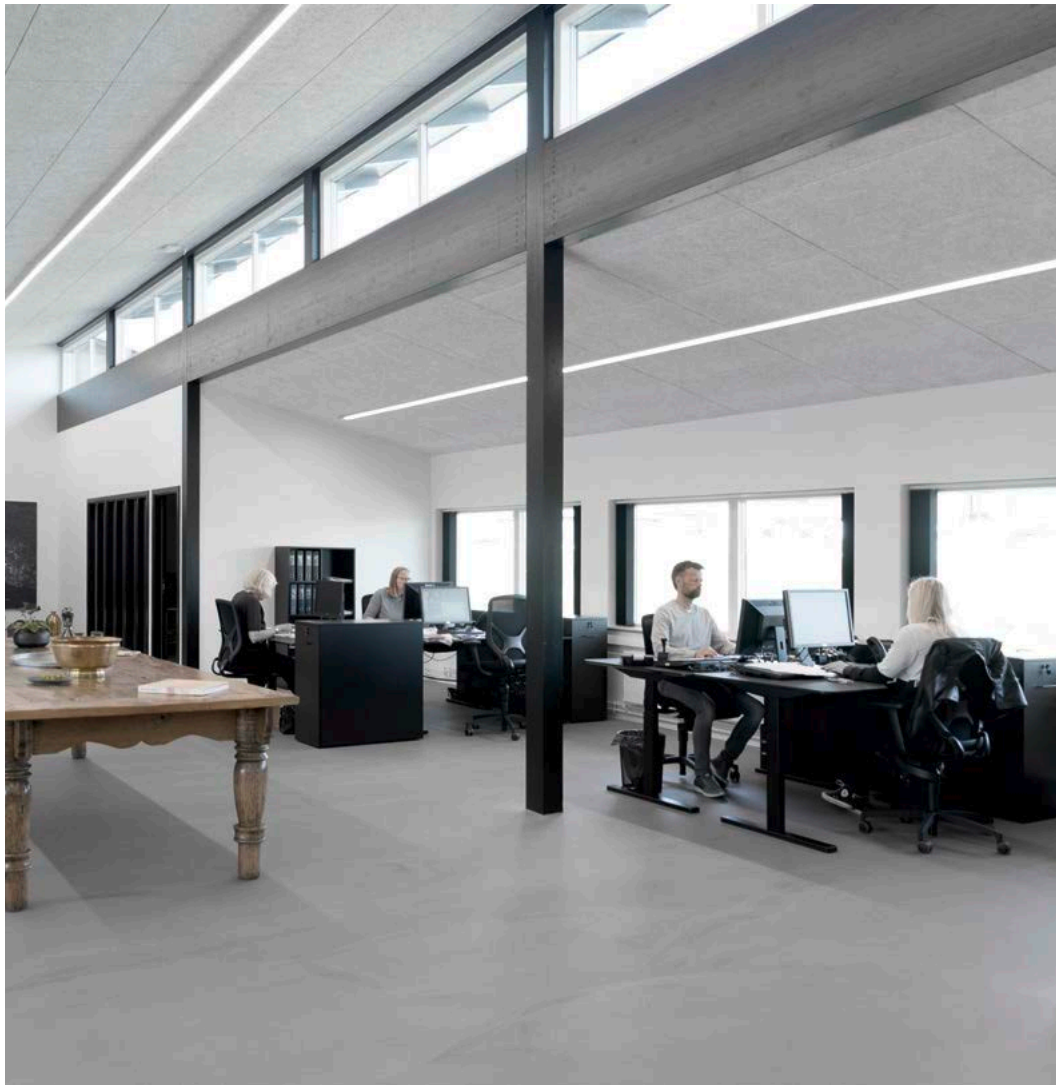
Model 184/7, object: the UN's XIX plenary chamber, Geneva, Switzerland, photos: Studio PEIA, Giovanna Silva



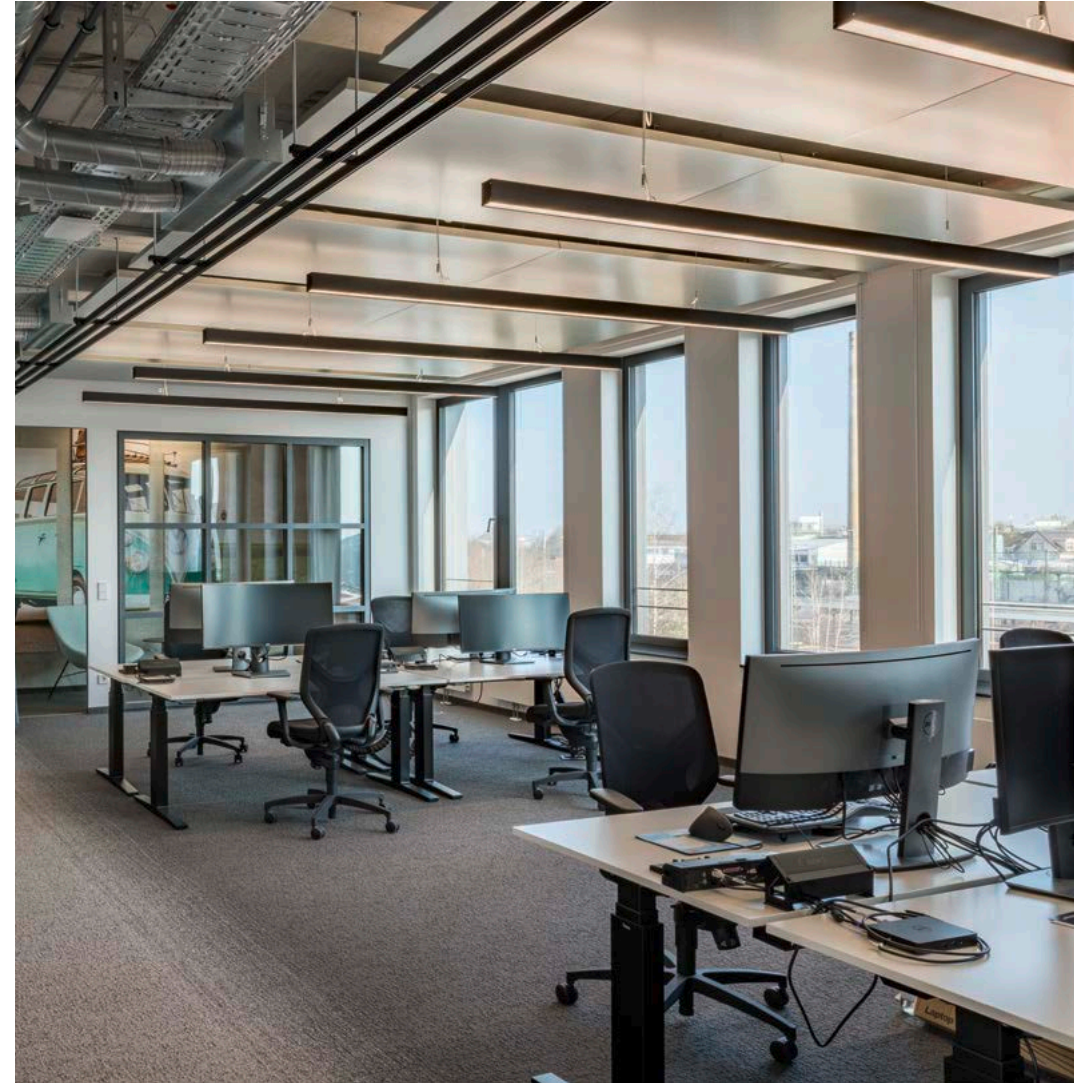
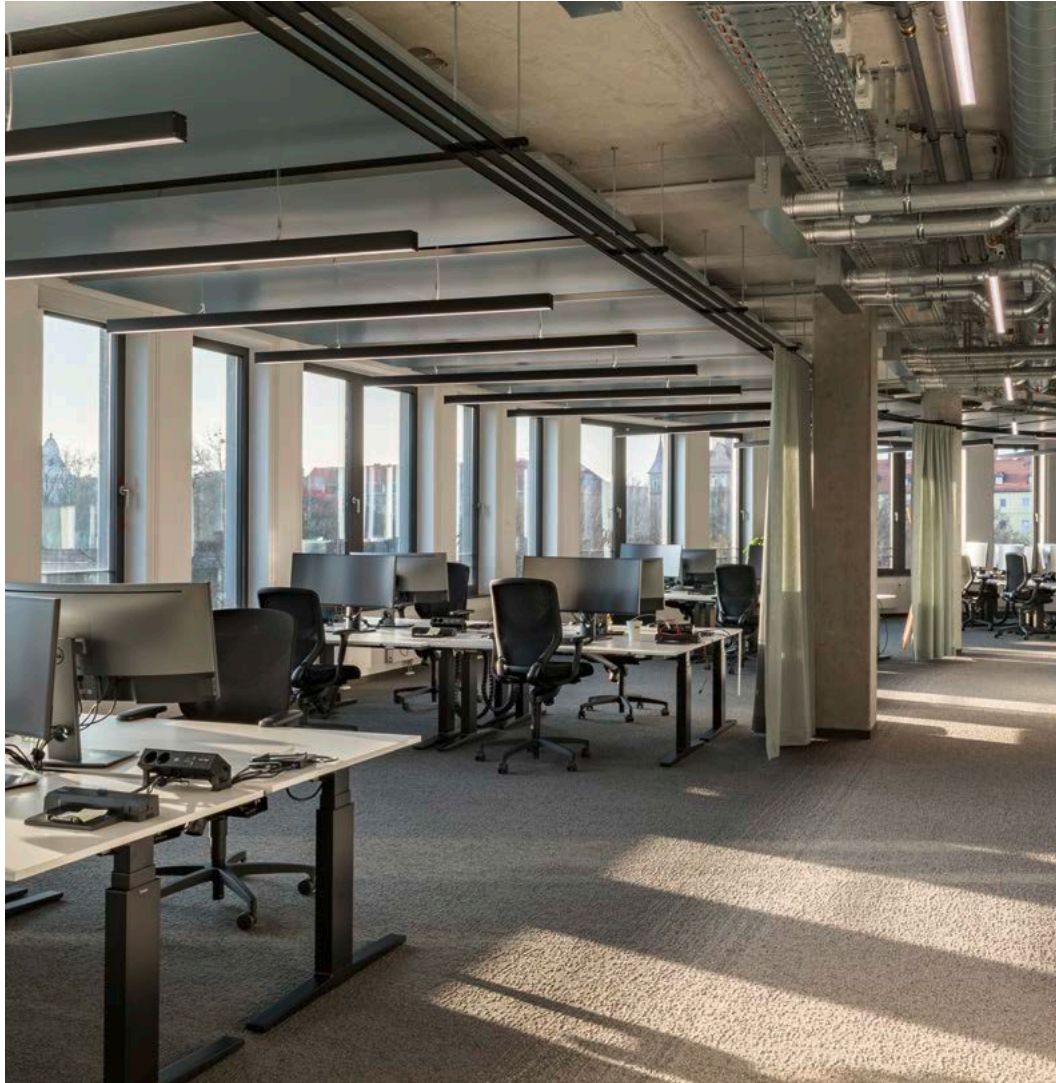
Model 184/7, object: Sparkasse LeerWittmund, Germany, photos: Werner Huthmacher



Model 184/7, object: Sennheiser, Zurich, Switzerland, photos: Sennheiser/Gehri AG



Model 184/7, object: Brands of Scandinavia, Copenhagen, Denmark, photos: Dennis Thanh



Model 184/7, object: Scout24, Munich, Germany, photos: Niclas Pütz



Model 184/7, object: Lijncom, Melle, Belgium, photos: Valerie Clarysse, Beeldpunt



Model 184/7, object: Wortmann KG, Detmold, Germany, photo: Wortmann KG



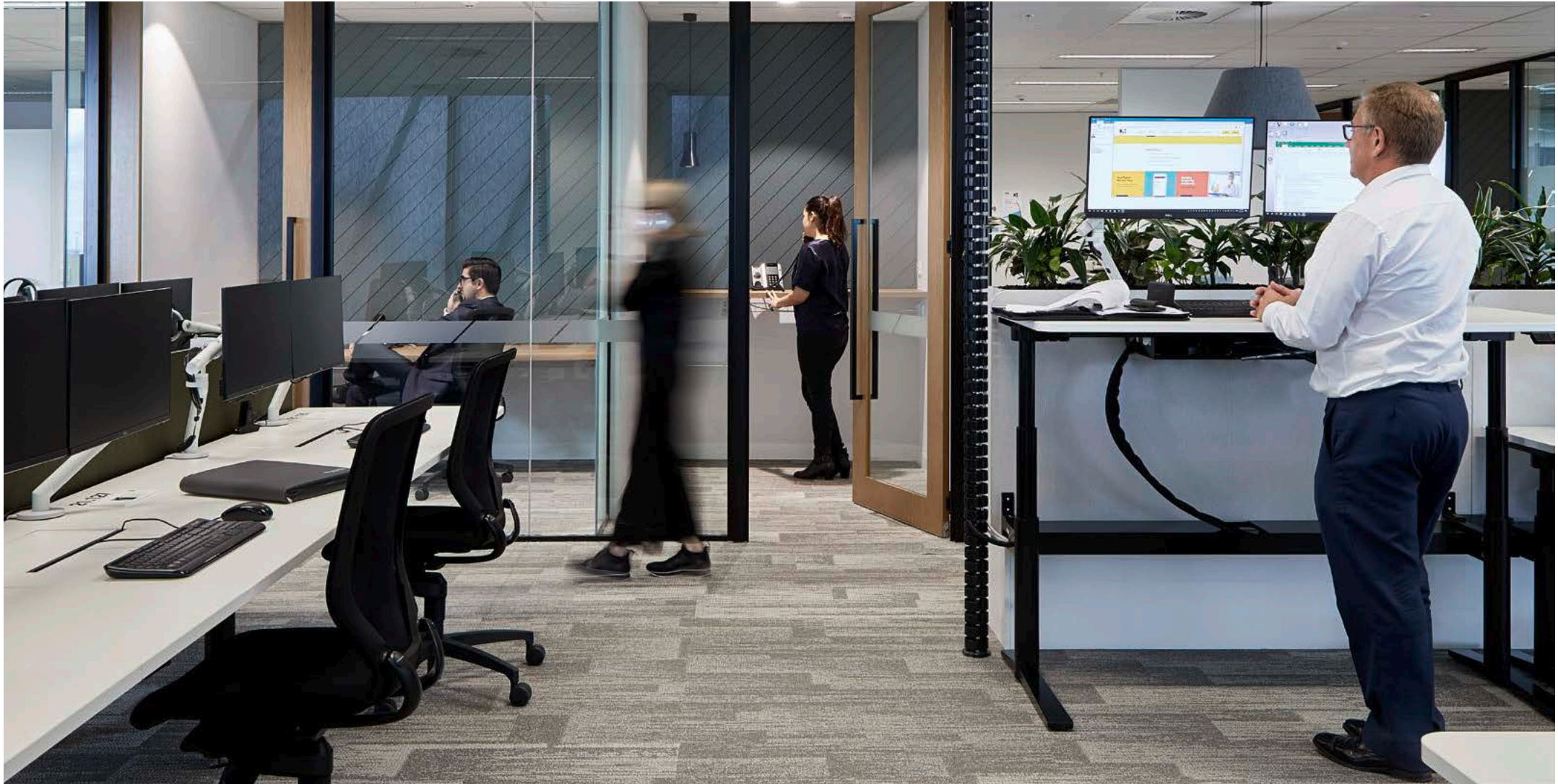
Model 184/7, object: HRS, Cologne, Germany, photo: HG Esch



Model 184/7, object: HRS, Cologne, Germany, photo: HG Esch



Model 184/7, object: Grant Thornton, Melbourne, Australia, photo: Shannon McGrath



Model 184/7, object, Grant Thornton, Melbourne, Australia, photo: Shannon McGrath



Model 184/7, object: Hafven Co-working and Maker Space, Hanover, Germany, photo: Frank Schinski



Model 184/7, photo: Thomas Bach



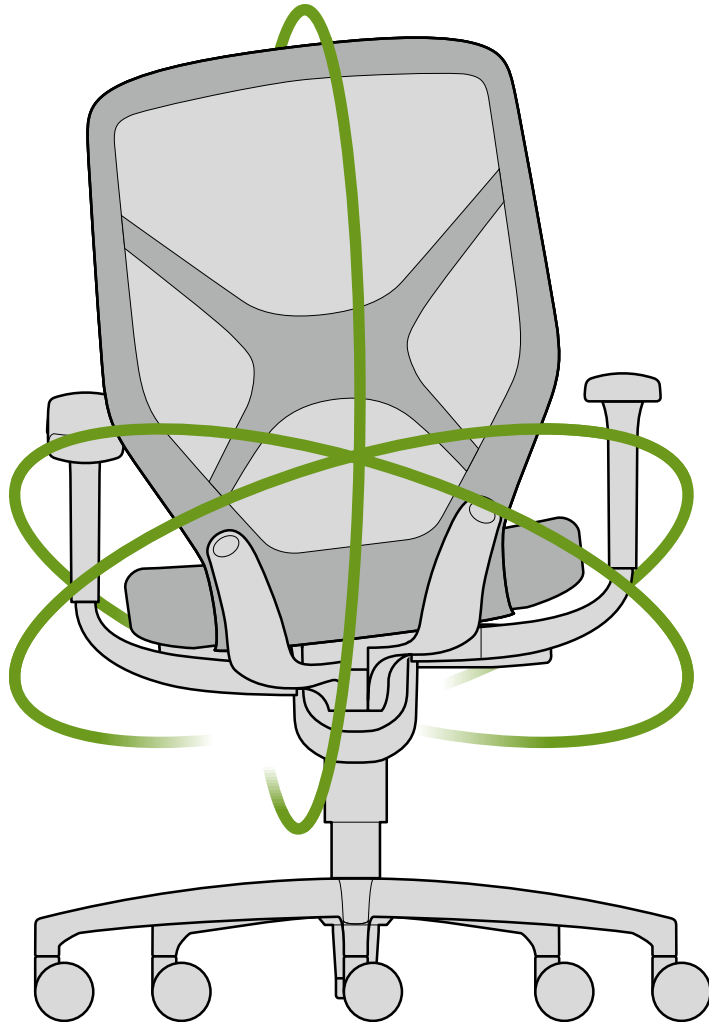


Model 184/7, photo: Thomas Bach



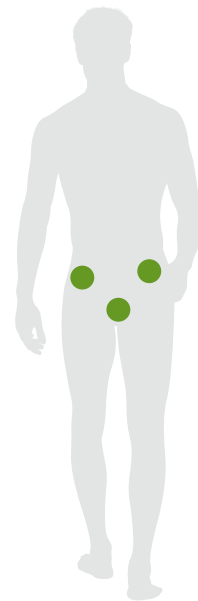
Model 184/7

IN. 184 range. Free-to-move. More active, more dynamic, healthier.

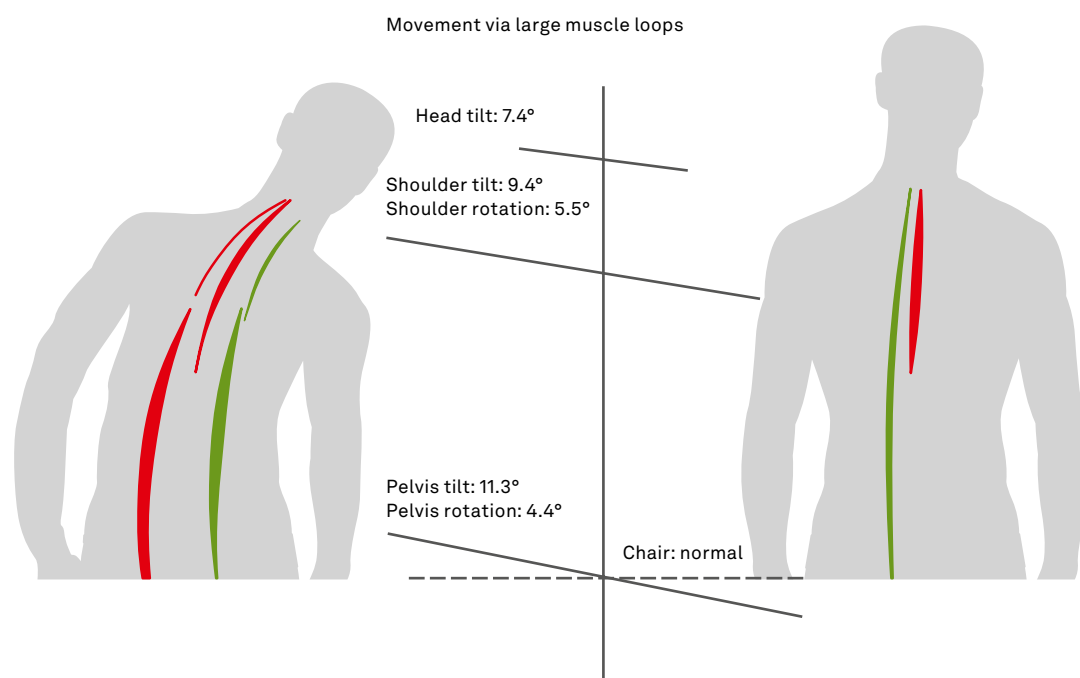


All health experts agree that our muscles, bones, joints, cardiovascular and digestive systems, our ability to combat stress and powers of concentration depend on movement. On the other hand, sitting still for long periods of time makes us lethargic and is harmful in the long term. Primarily, it's the three-dimensional movement of the hips that has the biggest impact on a healthy metabolism. For this reason, Wilkhahn joined forces with the German Sport University Cologne to develop free-to-move kinematics, which prompts people to move their bodies in all directions while sitting down.

Several scientific case studies corroborated the healthy, performance-enhancing effects of the free-to-move office chairs. These chairs encourage users to move more frequently and in different ways, therefore boosting their feeling of wellbeing, powers of concentration and the metabolism of the muscles in the lumbar region (which is very often plagued by backache). The scientists have proved the impact of free-to-move capability in preventing complaints typically caused when people sit down for long periods of time. And over 500,000 users worldwide are already benefiting from Wilkhahn's new office chair generation.



IN. 184 range. Free-to-move. More active, more dynamic, healthier.



A new approach to ergonomics in the office

Lab study:

The lab study examined how the concept correlated with our bodies, the biomechanical impact and the subjective feeling of comfort that Trimension® provides in the ON® office chair.

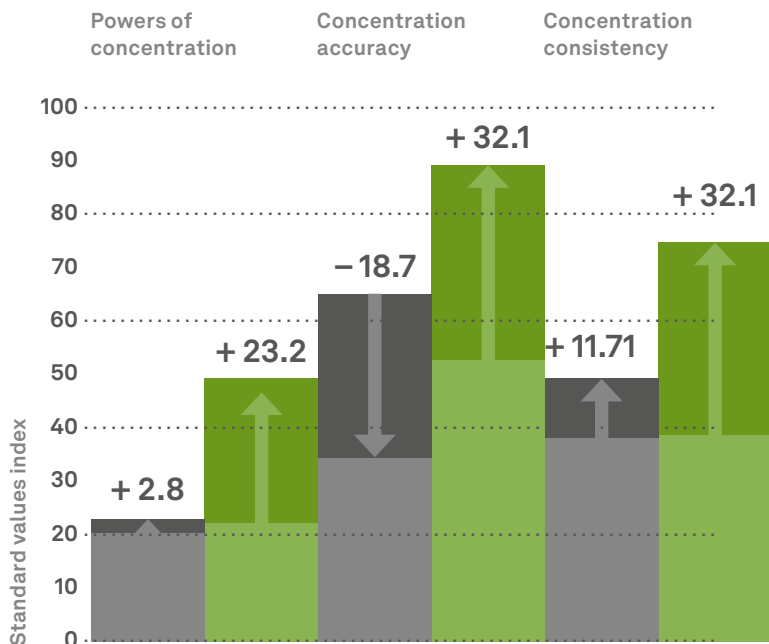
Results:

- Pressure is distributed evenly while people are sitting down and perceived to be very comfortable.
- By motivating people to bend, stretch, lean sideways and rotate their pelvis, Trimension® stimulates the body to engage in a range of natural movements where the head, shoulder and pelvis form a functioning unit when moving with the chair.
- In addition to the large muscle loops, the physiological rotation of the torso activates the muscles deep in the back which are key to stabilizing the spine.
- Some 90% of the test persons would like this sort of sitting concept in their workspace.

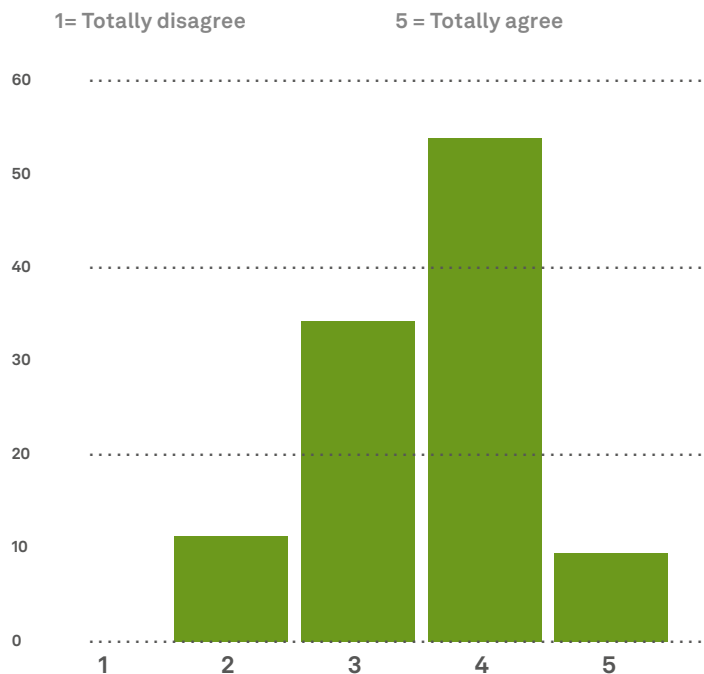
Conclusion drawn by the university:

Free-to-move, powered by Trimension®, coordinates with the body's natural range of motion and stimulates us to try out new dimensions of flexibility. Typical complaints associated with sitting at desks won't arise in this case.

IN. 184 range. Free-to-move. More active, more dynamic, healthier.



The control group (gray) with conventional office chairs and trial group (green) with 3D dynamic ON chairs over a period of three months.



My physical fitness has improved thanks to ON over the past 11 months.

Three-dimensional dynamic seating for better performance in offices

Comparative field study:

The researchers then investigated whether, alongside wellbeing, this sitting concept while using ON® also boosted people's performance. The study was carried out with 80 test persons in an insurance company's office complex over a period of 12 weeks. Recognized, standard tests and questionnaires were used to identify powers of concentration.

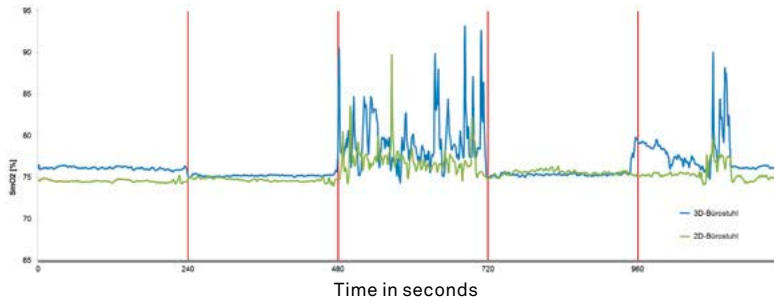
Results:

- Compared with the control group, the metrics used to gauge the free-to-move group's powers of concentration had improved in every respect at the end of the three months. They were faster, made fewer mistakes and worked more consistently.
- After a short space of time, the free-to-move group got used to and were confident about applying the new movement options.
- The free-to-move group's wellbeing didn't just improve in relative but also in absolute terms.

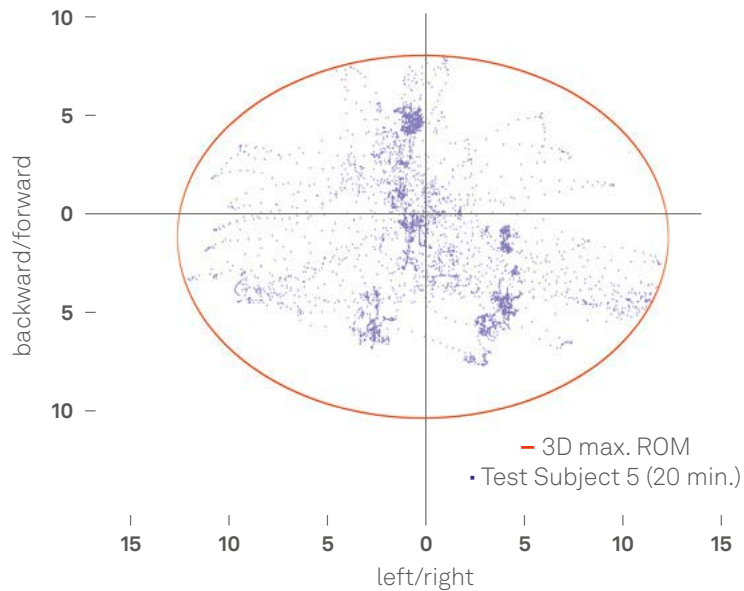
Conclusion drawn by the university:

Free-to-move dynamic sitting is used intuitively, frequently and perceived as being beneficial. And improved powers of concentration means it pays dividends in no time.

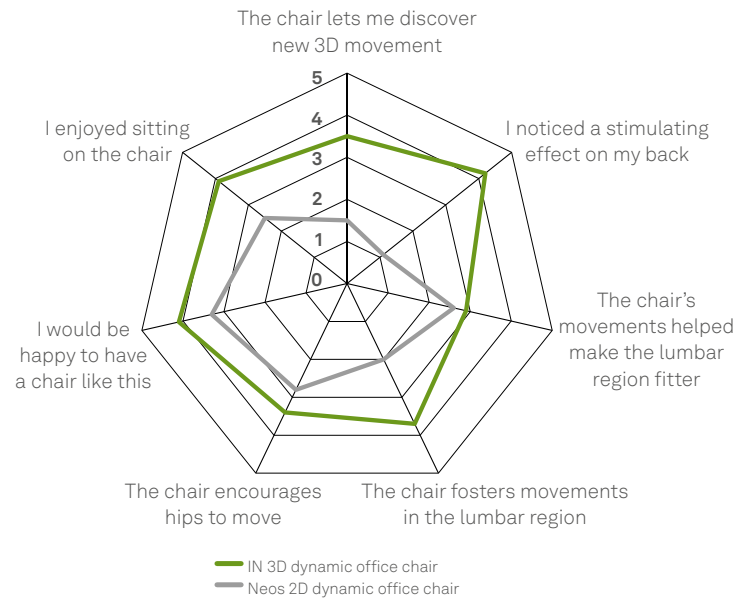
IN. 184 range. Free-to-move. More active, more dynamic, healthier.



The metabolism of muscles in the lumbar region is much more active when people sit on the 3D dynamic office chair.



3D dynamic chair: Movement frequency pattern and maximum ranges of motion.



Comparison of results from the questionnaire about sitting on the 3D and 2D dynamic office chair

More movement in sedentary workspaces

A study on the impact of Trimension 3D kinematics on dorsal muscles, the range of motion and physiological stimulation

Based on standardized office processes (static and dynamic), new measurement methods were applied to examine metabolic activity in the particularly important muscles in the lumbar region. The results measured while people were sitting on the IN free-to-move office chair were compared with those of people sitting on the very good Neos 2D dynamic office chair.

Results:

- The test persons used the whole three-dimensional range of motion that Trimension® offers.
- When people lean sideways, there are significant differences between a 2D synchro-adjustment mechanism and Trimension.
- Importantly, people sitting on an IN free-to-move chair alternate between tensing and relaxing their muscles to a greater extent than on the chair used as a comparison.
- The test persons rated the free-to-move office chair better on all criteria.

Conclusion drawn by the university:

Dynamic sitting on IN with Trimension® is shown to make muscles in the lumbar region healthier, so we can assume that muscle-based backache can be reduced.

IN. 184 range. Product types.

Wilkhahn



184/7 task chair,
medium-height backrest, on casters



184/7 task chair,
medium-height backrest, on casters



184/7 task chair,
medium-height backrest, on casters



184/1 Counter stool,
medium-height backrest, on casters



184/72 task chair, medium-height backrest
elevated sitting position (ESP)

IN. 184 range. Upholstered types.

Wilkhahn



Seat with Formstrick (form-fit knit) cover



Seat with Racer cover



Backrest with single-ply Formstrick



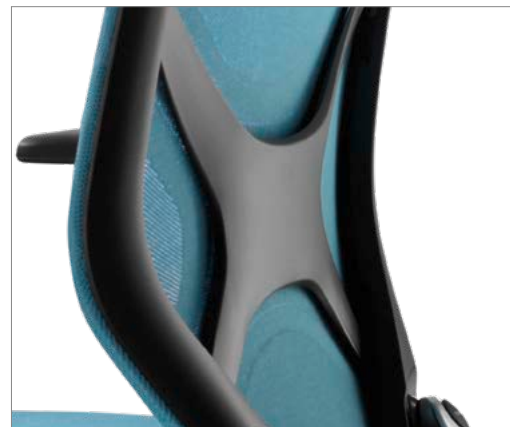
Backrest with double-ply Formstrick



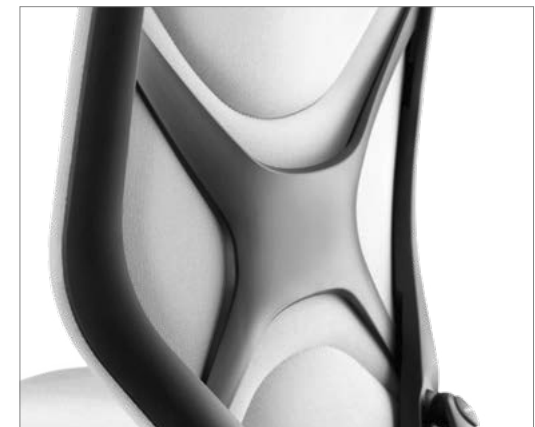
Seat with alternative Wilkhahn covers (with side facings)



Seat with alternative Wilkhahn covers, with short top stitching to create contours when optional seat-depth extension is chosen (with side facings)



Backrest with single-ply Formstrick, with lumbar support

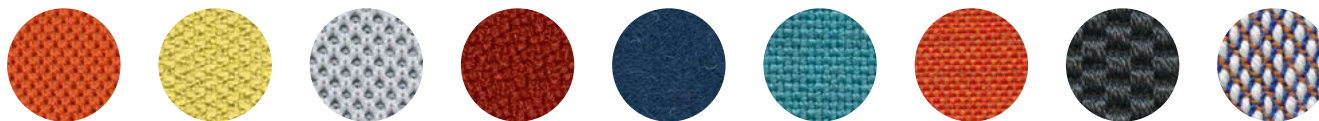


Backrest with double-ply Formstrick, with lumbar support

IN. 184 range. Upholstery types.

Wilkhahn

Seat upholstery material (not all upholstery materials apply to all types)



37 Racer | 38 Era | 41 Formstrick | 54 Pitch | 60 Blend | 66 Lona | 68 Kvadrat Remix | 69 Granit | 91 Kvadrat Steelcut Trio 3
You can find all upholstery materials and more colors in our media center

The sample colors differ from the originals.

IN. 184 range. Frame versions.

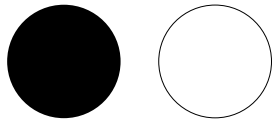
Wilkhahn

Frame surfaces



Aluminum high-luster polished or polished, black, black matte, silver satin finish, turquoise, gray, orange or red matte coated. Five-star base also in black plastic.

Seat and back frame



Black or white

The digital sample colors differ from the originals.
You can find our current fabric collection in our media center.

IN. 184 range. Accessories and other items.

Wilkhahn



Trimension® with front tilt



Additional height-adjustable lumbar support



Height- and depth-adjustable headrest



Anti-static casters



Seat-depth extension



Seat-depth extension



3D armrests, armrest pads made of PP



Without armrests

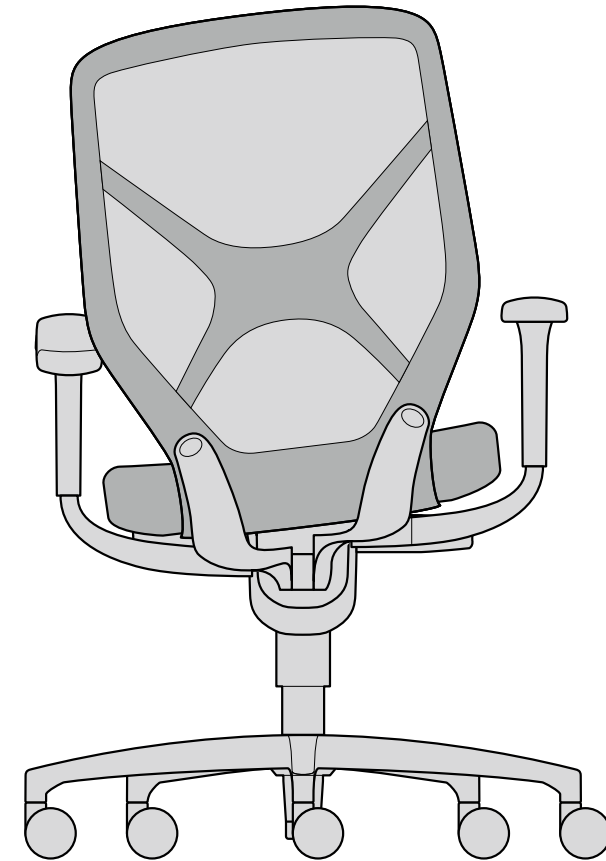
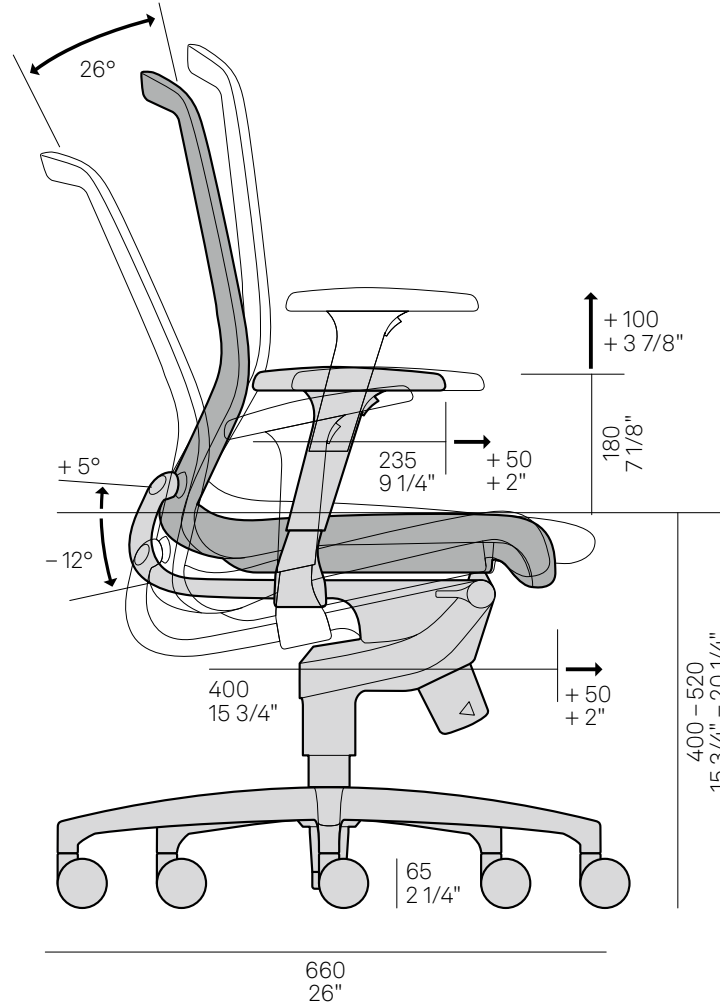
Further accessories not pictured: armrest pads made of polyurethane foam for 1D, 3D and 4D armrests

IN. 184 range. Comfort and adjustments.

Wilkhahn

Trimension® lies at the heart of IN. This integrated, synchro-supporting 3D kinematics allows the right and left-hand sides of the seat to lean in any direction via two swivel arms that move independently of one another. The goal is to activate the natural range of motion that our pelvises are capable of by flexing, extending, leaning sideways or rotating them.

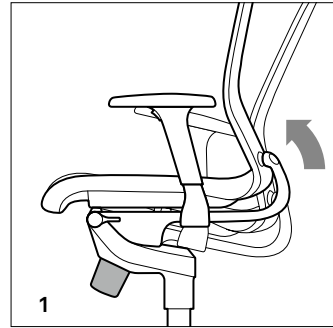
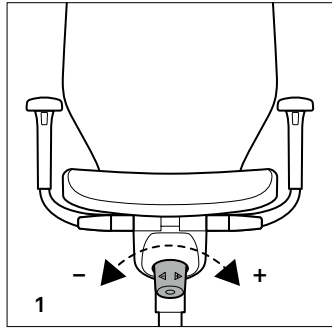
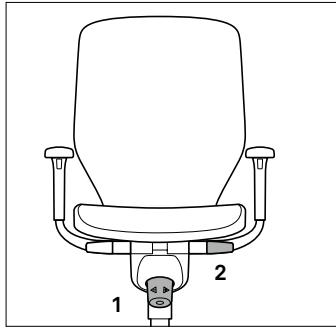
With its patented Trimension®, Wilkhahn has taught seating to walk. This kinematics offers a type of dynamic seating which is exceptional to date and which mirrors the way people's joints naturally work. Two sliding joints close to the knees and two socket joints near the hips are connected via the swivel arms just like thighs. The range of motion includes synchronous leaning backwards and forwards from -12° to 0° , or includes activating an opening angle of up to 5° in the seat and an up to 26° tilt in the back. At the same time, the seat and back can be tilted sideways from the horizontal by up to 13° . The counter pressure provides support in any direction and infinite adjustment of the elasticity allows it to adapt to people weighing between 45 to 140 kg.



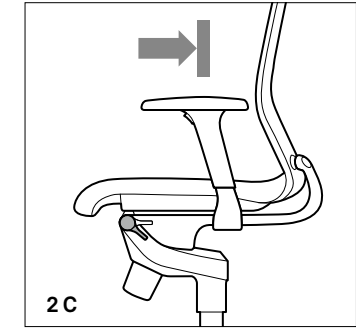
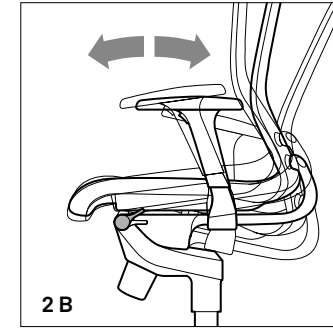
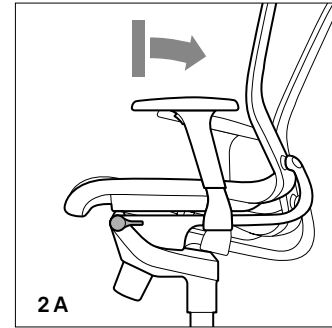
All sizes in metric and imperial measurements. Subject to change.

IN. 184 range. Comfort and adjustments.

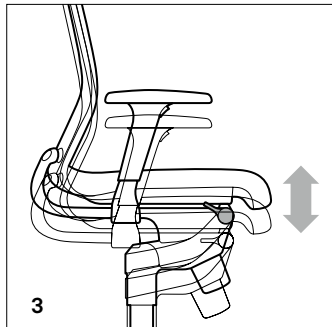
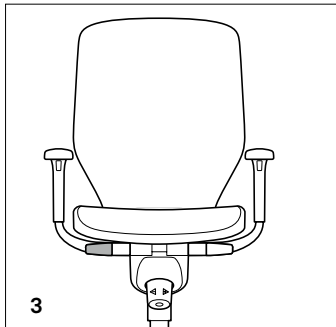
Wilkhahn



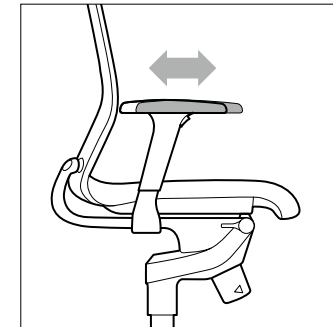
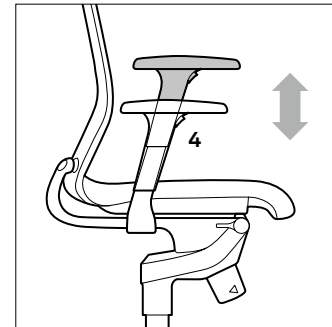
The purpose of knob 1 is to infinitely adjust Trimension's counter pressure. Leaning forward, turn it to the right to make the counter pressure weaker and to the left to make it stronger.



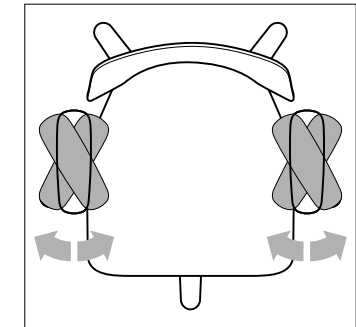
When pointing to the middle (A), lever 2 to the left of the front edge of the seat limits the range of motion from a backwards tilt to a horizontal zero position. Turned upwards (B) lever 2 activates a forwards tilt of 5° to enable the maximum range of motion. Turned downwards (C) lever 2 locks the seat and backrest in a horizontal zero position.



The purpose of lever 3 to the right underneath the front edge of the seat is to infinitely adjust the seating height between 400 and 520 mm.



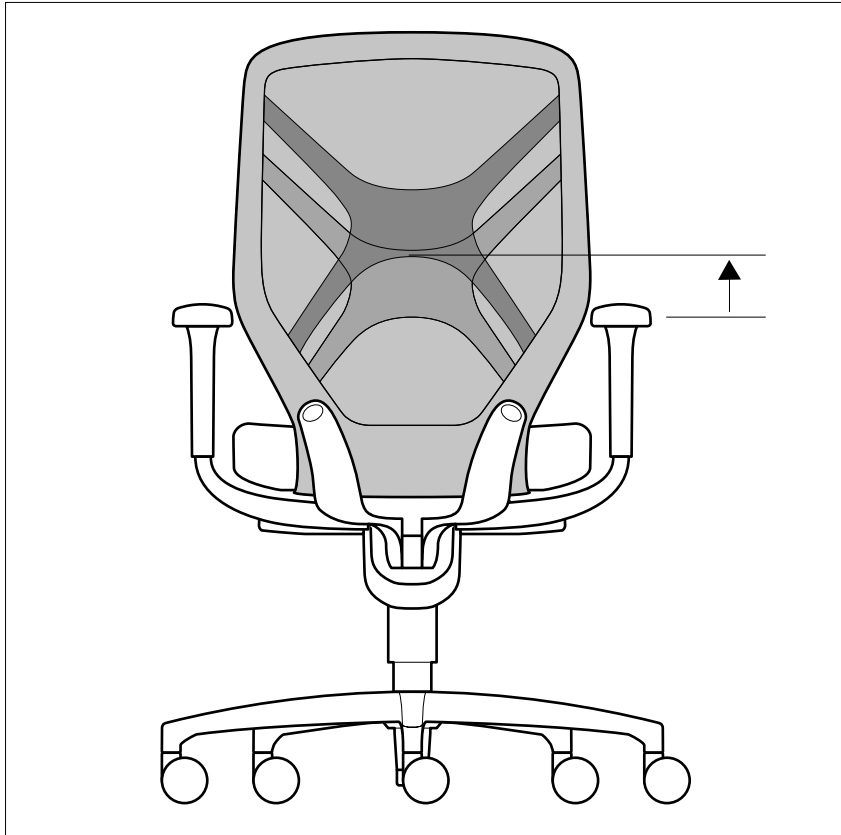
Keep lever 1 pressed down and adjust the armrest in ten positions by up to 100 mm in height.



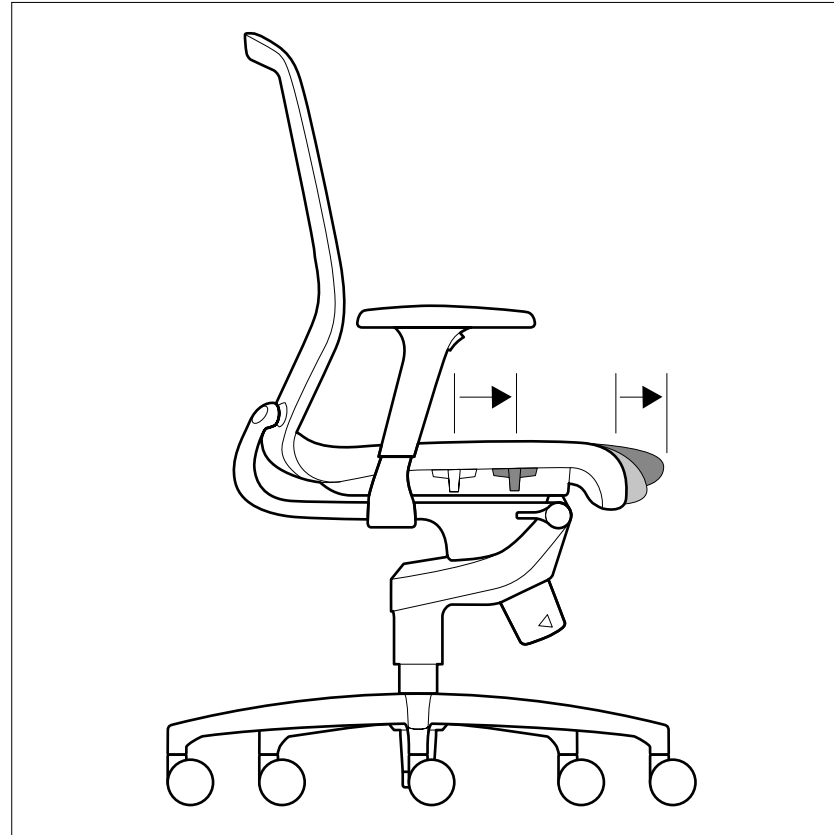
An additional feature in the 3D armrests: by pulling them forwards you can adjust their depth by up to 50 mm and by rotating them they can be swivelled inwards and outwards by 30°.

IN. 184 range. Comfort and adjustments.

Wilkhahn



The height of the lumbar support can be adjusted in six positions by a total of 60 mm. Grab the backrest with both your hands and lock the lumbar support in the position concerned to obtain the height you want.

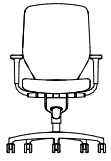


All models include optional integrated seat depth adjustment while seated of up to 50 mm. To infinitely increase the seat depth, take your weight off the front edge of the seat and push both side buttons underneath the seat on the left and right forwards at the same time and pull them back to shorten the seat depth.

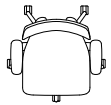
IN. 184 range. Models and dimensions.

Wilkhahn

184/7
Task chair



69
27 1/8"



69
27 1/8"



66
26"

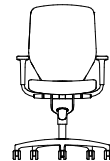
66
26"

184/7

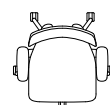
101/113
39 3/4" / 44 1/2"

40/52
15 3/4" / 20 1/2"

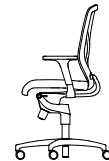
184/72
ESP



69
27 1/8"



69
27 1/8"



66
26"

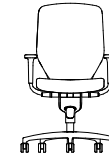
66
26"

184/72

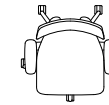
105/119
41 3/8" / 46 7/8"

44/58
17 3/8" / 22 7/8"

184/8
24-hour chair



69
27 1/8"



69
27 1/8"



66
26"

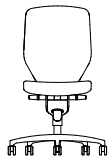
66
26"

184/8

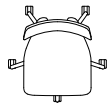
101/113
39 3/4" / 44 1/2"

40/52
15 3/4" / 20 1/2"

184/7
without armrests



69
27 1/8"



69
27 1/8"



66
26"

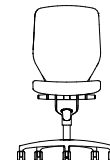
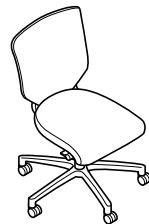
66
26"

184/7

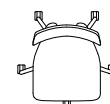
101/113
39 3/4" / 44 1/2"

40/52
15 3/4" / 20 1/2"

184/72
without armrests



69
27 1/8"



69
27 1/8"



66
26"

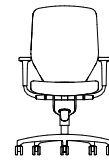
66
26"

184/72

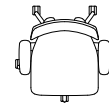
105/119
41 3/8" / 46 7/8"

44/58
17 3/8" / 22 7/8"

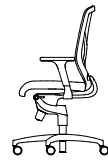
184/8
without armrests



69
27 1/8"



69
27 1/8"



66
26"

66
26"

184/8

101/113
39 3/4" / 44 1/2"

40/52
15 3/4" / 20 1/2"

* with headrest, changes the total height by 15 cm to 25 cm (5 7/8" to 9 7/8").

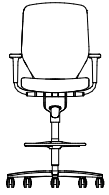
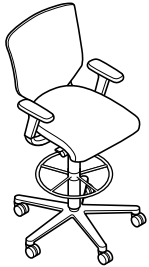
All sizes in metric and imperial measurements. Subject to change.

IN. 184 range. Models and dimensions.

Wilkhahn

184/1

Counter chair



69
27 1/8"



69
27 1/8"



66
26"

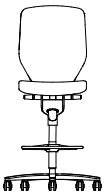
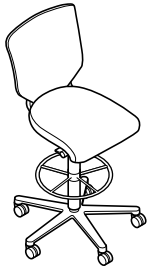
184/1

126/139
49 5/8" / 54 3/4"

65/78
25 5/8" / 30 3/4"

184/1

without armrests



69
27 1/8"



69
27 1/8"



66
26"

184/1

126/139
49 5/8" / 54 3/4"

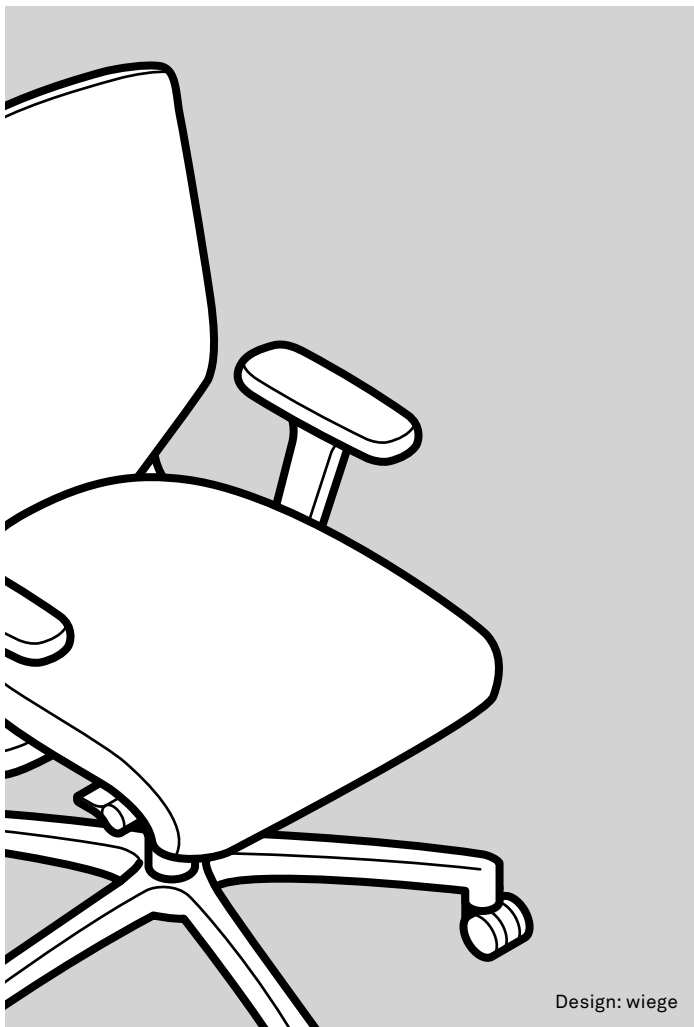
65/78
25 5/8" / 30 3/4"

* with headrest, changes the total height by 15 cm to 25 cm (5 7/8" to 9 7/8").

All sizes in metric and imperial measurements. Subject to change.

IN. 184 range. Technical details.

Wilkhahn



Design: wiege

Function

An office task chair with Trimension®, integrated synchronously supporting 3D kinematics which allows the right-hand and left-hand half of the chair to be tilted in any direction via two flexible swing swivel arms. The goal is to encourage the natural range of motion the pelvis is capable of which includes flexing, extending and moving it sideways to rotating it. The combination of the 3D synchronous adjustment mechanism with a highly elastic seat and back guarantees the chair adapts automatically to any movement made or posture adopted by the person sitting on it. As a result, the body is supported in any position and maintains its center of gravity. The counter pressure, which provides support in any direction moved in, is precision adjustable for people weighing from 45 to 140 kg by changing the elasticity. The backrest has optional, height-ad-

justable lumbar support (in six lockable positions of up to 60 mm). The backrest and seat can be locked in a neutral sitting position, the 3D forward tilt of 5° can be activated at the touch of a button in order to harness the maximum range of motion. The seating height can be precisely adjusted at the touch of a button between 400 mm and 520 mm with a DIN 4550-compliant gas lift. Seat depth: 430 mm, optionally with seat depth that can be adjusted while sitting down in 4 lockable positions of 400 to 450 mm. (The height of the elevated seating position (ESP) models is precision adjustable from between 460 mm and 640 mm and the counter chairs between 650 mm and 780 mm).

Frame

Task chairs

Five-star base made of black through-dyed, fiberglass-reinforced polyamide, optionally of die-cast aluminum, coated, polished or high-luster polished. Twin-wheel swivel casters with load-dependent braking, made of black DIN EN 12529-compliant polypropylene as the standard version for carpets, optionally with gray tire made of polyurethane for hard flooring. Casters optionally electrically conductive. Gas lift covered by telescopic protective tube made of black through-dyed polypropylene. Mechanism shell made of die-cast aluminum, coated matte black with black through-dyed polypropylene bellows and thermoplastic elastomer to accommodate the flexibly mounted central spring, knob to adjust the counter pressure made of polyamide (for people weighing from 45 to 140 kg). Each chair has two swivel arms which can move independently of one another, made of die-cast aluminum, coated, matte polished or high-luster polished, with protective caps made of polypropylene.

Counter stool

Star base from the ON 170 range, with additional height-adjustable, bright chrome-plated foot ring, with lock screw to affix it and twin-wheel swivel casters with load-dependent braking.

24-hour chairs

Always with die-cast aluminum star base, with extra swivel arm supports and high-performance covers. Designed for people weighing up to 150 kg, the models also comply with the British Standard.

Seat and back

Unitary, highly elastic and flexibly suspended seat and back made of high-performance polyamide. Seat shell made of black or white through-dyed polyamide with polypropylene seat upholstery panel. Polyurethane seat cushions with CFC-free foam, covered in Racer, optionally also with Formstrick (form-fit knit) that offers different support zones, in the same material as the backrest cover, or with fabric covers from the Wilkhahn fabric collection, then with facings sewn-in and deep top stitching lengthwise to create contours. The seat upholstery panel, cushioning and covers are replaceable. With optional adjustable seat-depth extension in 4 lockable positions of 40 to 45 cm. Then with facing

Subject to change.

IN. 184 range. Technical details.

made of black Racer sewn in, only in the same material and color when the seat cover is also in Racer and with deep, length-wise top stitching to create contours. All models, with the exception of the seat with cover 41/ Formstrick, optionally seat with soft padding with extra cut foam fleece).

The seat upholstery panel, cushioning and covers are replaceable. The back section is the frame, optionally with Hytrel® lumbar support, in black or white to match the seat shell; height-adjustable by 60 mm in six lockable positions and can be retrofitted at any time.

The back is covered in Formstrick (form-fit knit) which includes different elasticity for flexible and supporting zones, optional two-ply cover made of Formstrick with integrated upholstery foam with different support zones. Colors based on the Wilkhahn sample card.

Optional backrest frame with an upholstered headrest in the same color as the frame in through-dyed, fiberglass-reinforced polyamide, in 6 lockable positions, height-adjustable by 6 cm and can be tilted forward in 4 lockable positions by up to 125° (depth adjustable by up to 5 cm). Upholstery with upholstery panel screwed into the frame in black or white through-dyed polypropylene and molded foam upholstery in CFC-free polyurethane foam, cover from the 37 Racer fabric group, color-matched with the backrest cover or in black.

Armrests

Armrests made of fiberglass-reinforced, black through-dyed polyamide. 1D armrests whose height is adjustable in 10 lockable positions by 100 mm, in the case of 3D armrests the armrest pads can also be swiveled 50 mm in depth and by 25 degrees inward and outward, in the case of 4D armrests, each can also be adjusted in width by 25 mm. Armrest pads made of black through-dyed polypropylene, optionally of polyurethane foam. Also optionally without armrests.

Standards

The IN task chairs comply with the DIN EN 1335, ANSI/BIFMA X 5.1., IGR, AGR and GS standards.



Information

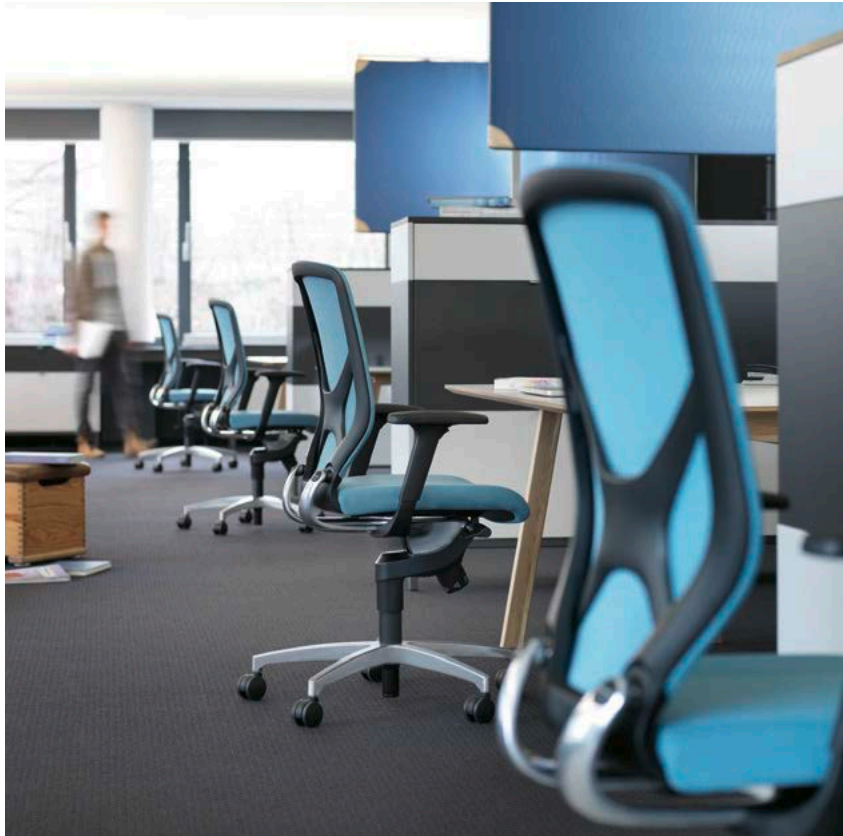
If very damp, the elasticity of the Formstrick can slightly slacken, but will regain its original shape when it dries.

📄 Current information
Cleaning and sanitizing
Wilkhahn Furniture

Wilkhahn

IN. Environment and product.

Wilkhahn



Boosts health and is sustainable too.

Just like its big brother ON, which featured Trimension for the first time, IN is made to last and offers superb functionality due to the following features:

- Its dynamic 3D sitting concept and health benefit, which is underpinned by scientific findings.
- Its first-class materials.
- Its superior craftsmanship, as well as modular, service-friendly design, which facilitates the replacement of expendable parts, covers and upholstery and extends the life of the chair.

It goes without saying that we apply CFC-free foam upholstery and eco-friendly materials. We use recycled material wherever technically possible and components are labeled so they can be recycled properly. As a result, at the end of its life, 92% or 94% of IN (depending on the model) can be recycled.

- The materials in the base frame combine a high level of precision with robust stability. The star bases are optionally made of die-cast aluminum, or black, through-dyed, fiberglass-reinforced polyamide. The swivel arms come in die-cast aluminum, the flexible seat shell and the backrest frame are made of partially reinforced, high-performance polyamide plastic (2-component technology) and the armrests are made of fiberglass-re-

inforced polyamide. The mechanism shell is made of die-cast aluminum with black through-dyed polypropylene bellows and thermoplastic elastomer to accommodate the flexibly mounted central spring made of high-performance steel. All aluminum and polypropylene components comprise a maximum of recycled materials and can be fully recycled.

- The seat cushioning is made of CFC-free covered polyurethane foam. With the seat upholstery panel, cushioning and covers, it can also be replaced. The backrest cover with lumbar support integrated in the material comes in a 100% form-fit-knit, polyamide-hybrid fabric. The fabric is used efficiently without any remnants.
- The adjustment and movement function settings are exceptionally user friendly and easy to use. Should the chair show signs of the wear and tear, it can easily be repaired or retrofitted to include extra functions.

Ergonomics experts currently consider IN the most dynamic office chair for healthy, three-dimensional sitting. Its innovative design is just as high quality as it is simple. The smart reduction of the number of parts due to ingenious design and high-performance materials with in-built multiple functionality is ecologically friendly and excellent value.

Milestones of socio-ecological development at Wilkhahn

- 2019 and 2020 Presented with the Architects' Darling Award as a winner of the cradle-to-cradle challenge
- 2018 Wilkhahn receives the B.A.U.M. environmental prize and an award from the Lower Saxony Alliance for Sustainability.
- 2013 The company is connected to the district heating grid of a biogas plant nearby
- 2012 The ON office chair is presented with the Federal Ecodesign Award
- 2009 Wilkhahn signs a framework agreement with German trade union BHI (Building and Woodworkers International) on worldwide compliance with core ILO labor standards at Wilkhahn and its suppliers via in-house controls and external monitoring by German trade union IG Metall.
- 2008 A combined heat and power plant based on renewables is commissioned.
- 2001 First company in the state of Lower Saxony with EMAS 2 European environmental standard certification.
- 2000 Publishes one of the first medium-sized business reports on sustainability
- 1997 Corporate Conscience Award from the Council on Economic Priorities, New York
- 1996 German Environmental Prize from the German Environmental Foundation
- 1992 The first ecologically designed production facilities with a photovoltaic roof and launch of the first office chair range to be developed based on the ecological design concept.
- 1989 Mission statement on ecological changes at Wilkhahn: "The administrative and management board have jointly decided to take ecological concerns seriously and to place greater emphasis on them than a quick profit".

Awards



reddot award 2015
winner



IN. Product responsibility.

Wilkhahn

Our antidote to the throw-away society is to provide products where form, function and materials have a purpose and are long lasting. Our product responsibility concept therefore follows well-defined guiding principles.



1. Avoid waste – “the longer and better”

is the remit to our product development team. We achieve this thanks to:

- useful innovations that make life easier and more pleasant in the long term;
- durable quality of materials, surfaces and technical solutions, which guarantees quality, even years later;
- distinctive, timeless and appealing designs with the potential to become classics;



2. Reduce – “less is more”

is more than just a design principle to us, it means:

- we cut down on the materials used in order to make handling easier and to preserve resources;
- we use energy in manufacturing efficiently, for example by drawing on district heating and heat recovery in manufacturing;
- we reduce emissions, by utilizing solar power and climate-neutral energy sources (cutting CO₂).



3. Recover – “Reuse + Recycle”

In this case, the goal is to continue to use the whole product or parts of it and recycle it at the end:

- Because the products are modular, expendable parts can be exchanged and features added or retrofitted (e. g. armrest types, covers, cushions, surfaces).
- Connecting points in the product can be dismantled for easy repair.
- Where possible, we use pure materials that are marked as such, making them ideal for recycling.



4. Fairness – responsibility all along the line

At Wilkhahn, environmental and social responsibility have an equal weighting. Health and safety, training, active participation by and fair pay for employees are integral to our corporate culture. As a result, we actively encourage our suppliers and customers worldwide to improve working conditions. Which is why Wilkhahn joined Global Compact and signed an international framework agreement with the International Labor Organization (ILO) on global recognition and fostering of employee interests.

IN. Environmental product information.

Guiding principles.

Honest product design

We strive to develop durable products, increase their utility value and reduce waste. "Less is more" or "reduce to the max" are principles that Wilkhahn constantly reinterprets for the future. Ecological design guidelines are integral components of Wilkhahn product development.

A spirit of fairness

We focus on people. This implies a collaborative management style which sees employee representatives as co-managers who help shape the company. The workforce's participation in the company's success, the development of new styles of working with semi-autonomous groups and project work, as well as an established health-management system are expressions of Wilkhahn's social approach.

Ecological responsibility

Wilkhahn supports sustainable development. The balance we seek to strike between financial, ecological, social and cultural objectives in order to maintain independence defines Wilkhahn's corporate culture. Compliance with ecological quality criteria throughout the product life cycle is one of the ways we gauge our own success.

Responsibility from the very start – Wilkhahn's environmental product information.

The environmental impact of all Wilkhahn products throughout their whole product lives, which includes production of the feedstock, manufacture, use and disposal of the products, was assessed based on a life-cycle analysis (LCA).



Wilkhahn



Materials

Socio-ecological assessment of the production of the feedstock, the procurement process, the materials used and their characteristics.



Production

Socio-ecological assessment of the production and assembly processes by environmental-management and social-audit systems.



Product use

Socio-ecological assessment of the product utility phase regarding: Design, ergonomics, durability, customer service, availability of spare parts.

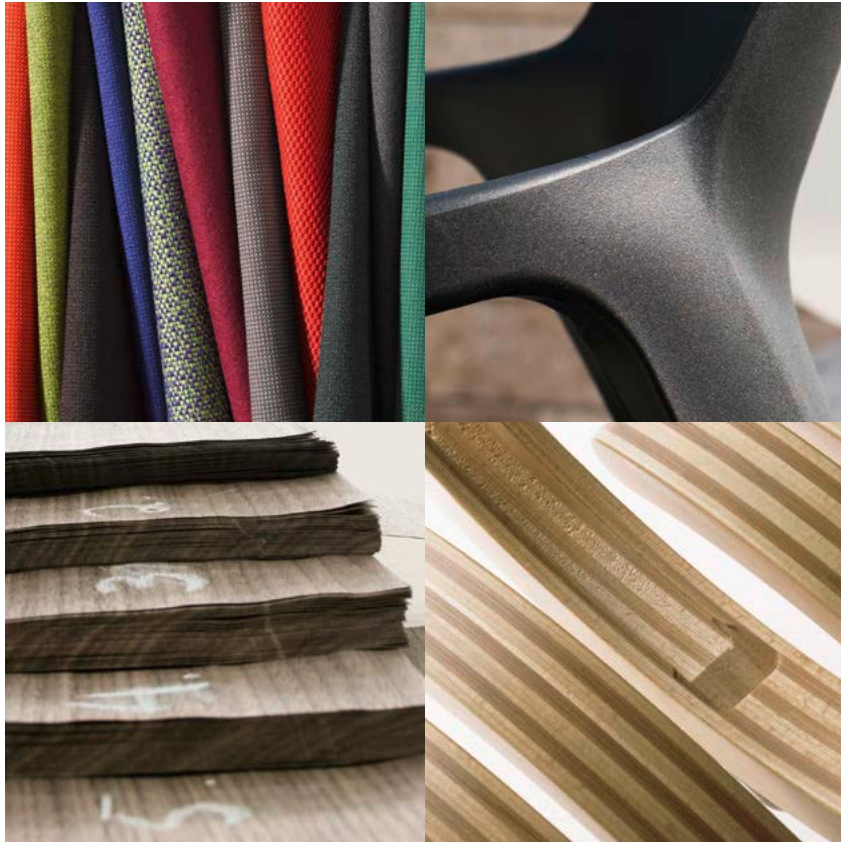


End of the product life-cycle

Socio-ecological assessment of the product after the end of its useful life: Disassembly and recycling capabilities, disposal and product take-back.

IN. Environmental product information.

Wilkhahn



Materials.

International product and material standards.

During all phases of a product's development, we're demanding when it comes to the characteristics of our products, the quality of the materials and components, as well as the standard of our craftsmanship. Therefore, Wilkhahn products fulfil all relevant international office-furniture standards in terms of durability, safety and ergonomics. And what's more, many Wilkhahn products have also been awarded the GS symbol which rates them as being safe and as suitable for interiors as specified by Greenguard™. The materials Wilkhahn uses such as fabrics, leather, wood, plastics or metals are primarily made by highly specialized suppliers. Our product-development department specifies the technical and aesthetic characteristics that these materials have to fulfil. Our specifications on for example strength, color-fastness, durability and other characteristics that affect the quality of our products are clearly outlined by international material standards. Rules of thumb are as follows:

- The fabrics and leather used by Wilkhahn are low on emissions and help to provide good air quality in buildings and working environments;
- Wherever possible, Wilkhahn works with ecological upholstery fabrics, such as wool fleeces, cork and coconut fiber;
- All Wilkhahn polyurethane foam is free of CFCs and has no halogenated flame retardants. This helps protect the climate and is important for recycling capabilities at a later date. Nevertheless, Wilkhahn products can also fulfil special requirements as regards fire safety in public buildings, for example by applying flame-retardant upholstery fabrics. Additional flame-retardant materials are only added if required by our customers' stringent fire safety regulations.
- The powder-coated metal finishes of the table and chair frames are hard-wearing and made without any solvents or heavy metal.
- Chrome-plated metal finishes have no harmful chrome compounds (as specified in EN 71-3).

Wilkhahn attaches huge importance to the fact that its products and the associated materials, procedures and processes are responsible in social and ecological terms. Therefore, integrated audits help us check that our partners in the Wilkhahn supply chain comply with these aspects too. We check the quality of our products by inspecting incoming goods according to established criteria. Before processing, our materials are scrutinized and the finished results checked again by trained staff before forwarding to the next department.

IN. Environmental product information.

Wilkhahn



Production.

Integrated management system

Wilkhahn headquarters in Bad Münde (Germany) are EMAS-validated and certified to ISO 14001. Wilkhahn supports relevant certification on the part of its suppliers. Wilkhahn's main production site is certified to ISO 9001. In selecting suppliers, comprehensive and proper quality management are very important to Wilkhahn.

Water conservation, material management and sustainable energy production

Water is becoming an increasingly important resource. Wilkhahn is pulling out all the stops to minimize water consumption during production and to ensure water quality is not impaired.

By treating and recycling process water, the quantities of waste water considered hazardous have been cut by 80 percent. The Wilkhahn waste management concept includes sorting waste selectively, as well as recycling and disposing of all waste fractions resulting from the production and management departments.

All Wilkhahn production facilities ensure compliance with labor and social responsibility standards, as required by the ILO (International Labor Organization). Our partnership with suppliers is based on compliance with this agreement.

Sustainability in the supply chain.

Our environmental and social responsibility doesn't stop at the gates to our own factories.

If within its power, Wilkhahn requires and promotes fair and safe working conditions and processes that don't harm the environment. Frequent assessment and on-site visits to top suppliers create trust and sustainability in the supply chain too.

Employees as partners.

Our maxim is fairness and aspects like trust and reliability define Wilkhahn's management culture and the way it involves its own workforce. Active participation by all employees is a driving force in encouraging continual and successful improvements in the environmental sector too. Whether it's a question of avoiding hazards in the workplace, of new manufacturing technologies, or of saving materials and energy – all employees can contribute their ideas for improving Wilkhahn at any time via the company's ideas management process.

Health and safety

Wilkhahn applies a wide range of measures to ensure that workspaces in the Wilkhahn production department are safe and allow as risk-free an approach as possible. This is achieved by:

- Planning safe procedures and workspaces;
- Organizing and defining responsibilities;
- Informing people about the risks the workspace entails and taking measures to avoid these;
- Regularly inspecting working environments to maintain safety and cleanliness in all areas;
- Using the health and safety committee to frequently discuss risk potentials and systematically avoid accidents.

IN. Environmental product information.

Wilkhahn



Usage.

Aesthetics and design

Sustainable products must be practical. The timeless aesthetics of Wilkhahn products provide added value, making them options that are set to endure. Office work today requires maximum flexibility in terms of spaces, usage concepts, processes and people. New studies show that aesthetics have a direct impact on health.

Durability and guarantee

Product design to last is our antidote to the throw-away society. Therefore, Wilkhahn products focus on providing maximum utility value, durability and protecting resources. This means top quality that can be experienced, is consistent and perfect. It delivers timeless, distinctive design that is fascinating due to its simplicity, honesty and appeal to all the senses. Pioneering innovations are included that really give our customers constant added value in terms of ergonomics and handling. The fact that our products are extremely practical, easy to disassemble and components are replaceable ensures they are resource-efficient.

Air quality and emissions of harmful substances

Wilkhahn products don't emit any concentrations of gas that are harmful to the environment or health. In the US, Wilkhahn products have GREENGUARD Indoor Air Quality™ certification. GREENGUARD™ is a certification program for products low in emissions.

LEED

Wilkhahn office chairs and table ranges help companies to achieve credit points during LEED certification (U.S. Green Building Council's Leadership in Energy and Environmental Design). The LEED Green Building Rating System is a voluntary standard given to companies that offer a healthy environment, save water and energy and comply with stringent environmental criteria. More LEED information about our products is available on request.

IN. Environmental product information.

Wilkhahn



End of the product life cycle.

Product take-back and recycling

Even after the product has reached the end of its life, we still feel responsible and offer our customers extensive take-back and recycling services. We guarantee to take back all products that are no longer in use. Wilkhahn products are dismantled in the factory, all parts are selectively sorted in terms of their inherent materials and then recycled. By labelling the materials, ensuring they're non-toxic and easy to dismantle, we're already making sure today that the components in Wilkhahn products can be incorporated into local material and production cycles and be properly recycled and disposed of. As a result, energy-guzzling (and therefore ecologically unwise transportation) over long distances is avoided.

Disassembly and recycling

All Wilkhahn product components are suitable for non-destructive disassembly. In order to guarantee materials are sorted according to type, all components over 150 g in weight are labeled. No agents to protect materials, or organic halogen compounds are used that prevent recycling at a later date.

Reusable packaging for transport

Customers in over 90 countries choose Wilkhahn office furniture. For years we've only been using as much packaging to transport our products as is required to deliver them in one piece to our customers. Some 60 to 78% of Wilkhahn's cardboard packaging consists of recycled material. And Wilkhahn regularly uses blankets and other returnable packaging.

IN. Environmental product information.

Wilkhahn

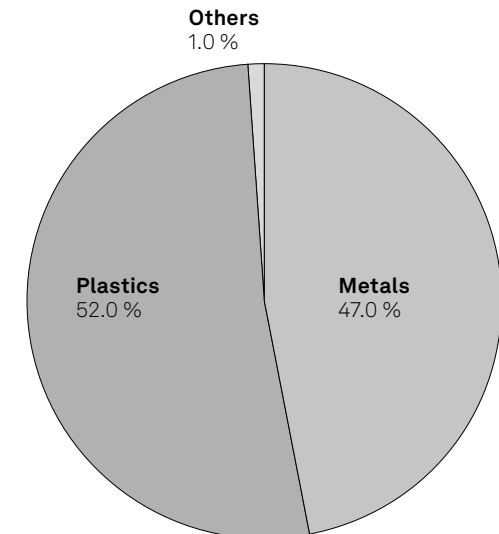


Materials.

Material composition for model IN 184/7 task chair

	[kg]	[%]
Metals	8.10	47.0
Steel	3.00	17.0
Aluminum	5.00	29.0
Plastics	8.90	52.0
Polyamide (PA)	4.20	25.0
Polypropylene (PP)	3.50	20.0
Polyurethane (PUR/TPU)	0.90	5.0
Polyester	0.00	0.0
Others	0.20	1.0
Total weight	17.20	100.0
Recycling proportion	7.60	44.0
Recycling capability	15.80	92.0

Materials are subject to stringent checks. As part of an ABC analysis, the materials are checked to ensure they are environmentally friendly and not harmful to health. Prohibited chemicals are not used in the product at all. All feedstock is listed in a register of hazardous substances. This helps to minimize the use or allow the substitution of any potentially harmful materials.



IN. Environmental product information.

Wilkhahn

Certificates product/standards



DIN EN 1335 ANSI/BIFMA X5.1 Not all certificates / standards apply to all types.

Company's certificates, memberships



Wilkhahn and sustainability.

Wilkhahn



In over 100 years of its corporate history, Wilkhahn can look back on a sustainability philosophy that has grown over decades. Aspects such as durability, social fairness, environmental responsibility and cultural orientation have been evolving as corporate principles since the 1950s. Wilkhahn today is regarded internationally as a model of excellence, not only on account of its products but also because of its modern corporate philosophy. This is because the company realized early on that sustainable design should embrace environmental aspects, improve social relationships and define the cultural role of a company. This approach to the way we do business creates a bond between us and our customers throughout the world. There is surely no more rewarding task than working together for a successful future that is worth living in.

📄 [Current sustainability report with environmental statement](#)



For further information please contact us!

Wilkhahn



Wilkening + Hahne GmbH+Co.KG
Fritz-Hahne-Str. 8
31848 Bad Münde
Germany
Tel.: +49 5042 999 100
contact@wilkhahn.de
www.wilkhahn.com



Roof of one of the four pavilions,
which were designed by architect
Frei Otto, on the Wilkhahn site.
Photo: Klemens Ortmeier